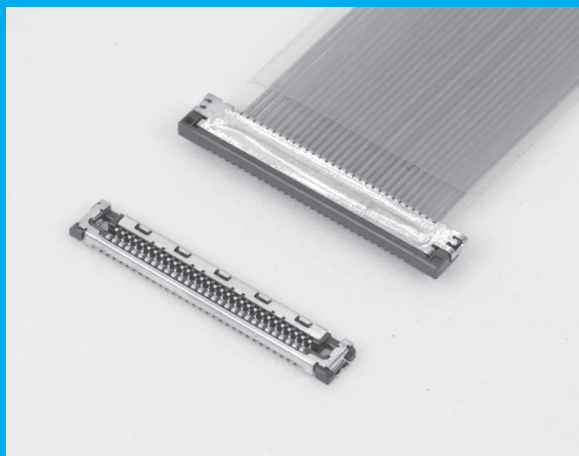


# ASLS SERIES

## 0.4mm PITCH CONNECTOR FOR MICRO COAXIAL CABLE (STACKING TYPE)



RoHS  
Compliant



### FEATURES

- ▶ Compact connector with a low profile of 1.65mm and a mating width of 3.05 mm.
- ▶ Non-magnetic realization that is not affected by magnetic field.
- ▶ Operating temperature can be up to 105°C.
- ▶ By providing locking mechanism on the contact and shell, good click feeling, reliable mating and increased cable lifting strength are achieved.
- ▶ Double crimp structure for shield cable is able to increase cable retention force.
- ▶ For reliable connection, contacts are designed with 2 contact points structure.
- ▶ Equipped with a metal shell, noise reduction and product strength are ensured.
- ▶ Achieved enhanced noise resistance (EMC) through multi-point ground contacts.
- ▶ By shape guide on mating entrance, excellent workability, reliable insertion, prevent miss-mating and contacts damage during mating process are achieved.
- ▶ Specially designed withdrawal jig is available.

### ORDER CODE

**ASLS00** -    -   

①                      ②                      ③

\*Please order in multiples of the quantity per package.

- ① **[Type]** ASLS00 : Receptacle (PCB side connector)
- ② **[Number of contacts]** 30 : 30 pin 40 : 40 pin 50 : 50 pin
- ③ **[Number of packaging]** A : 500pcs. per reel B : 1,000pcs. per reel C : 3,000pcs. per reel

### ORDER CODE

**ASLS20** -      

①                      ②

- ① **[Type]** ASLS20 : Plug (Cable side connector)
- ② **[Number of contacts]** 30 : 30 pin 40 : 40 pin 50 : 50 pin

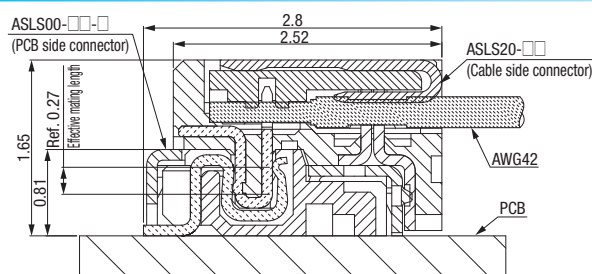
\*\*ASLS20-□□ connector cannot be sold separately as it provides a complete harness.

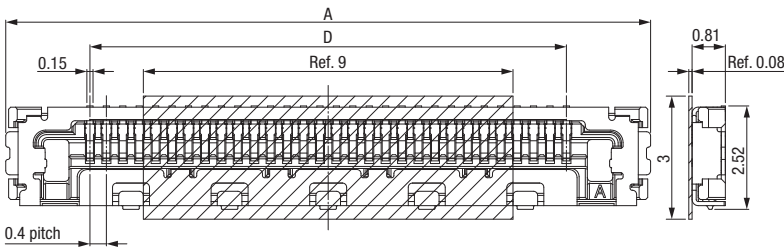
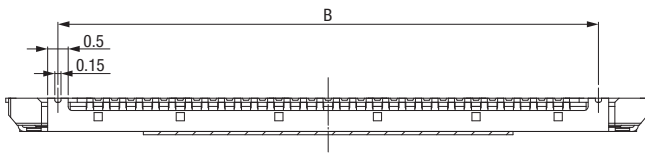
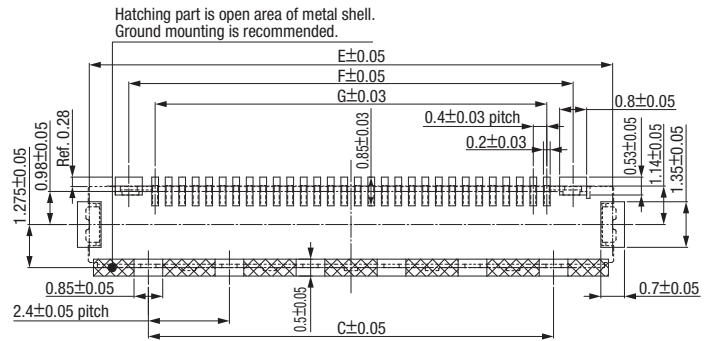
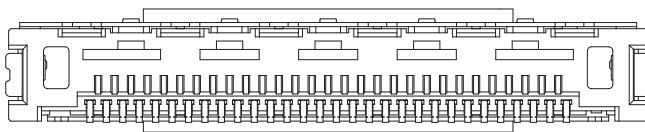
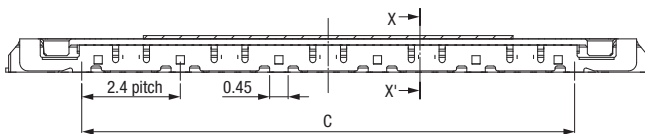
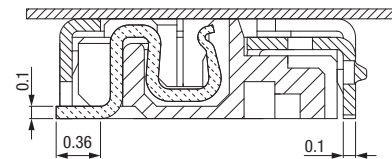
### SPECIFICATIONS

Material and plating		Electrical characteristics	
Insulator material	Glass-filled LCP(UL94V-0),Black	Rated current	0.25A per contact
Contact material	Copper alloy	Contact resistance	100mΩ max.
Contact plating	(Contact area) Gold over Nickel (Terminal area) Gold over Nickel	Dielectric withstanding voltage	200V AC for 1minute
Shell material	Copper alloy	Insutulation resistance	100MΩ min.at 250V DC
Shell plating	Tin silver copper over Nickel	Operating temperature	-40°C to +105°C
IDC cover material	Glass-filled LCP(UL94V-0),Black	Applicable cable	#42 AWG Micro coaxial cable
Suction tape material	[ASLS00] Polyimide		

### Mating drawing

Unit : mm



**Printed Circuit Board layout (Component side view)**

**X-X' Cross section**


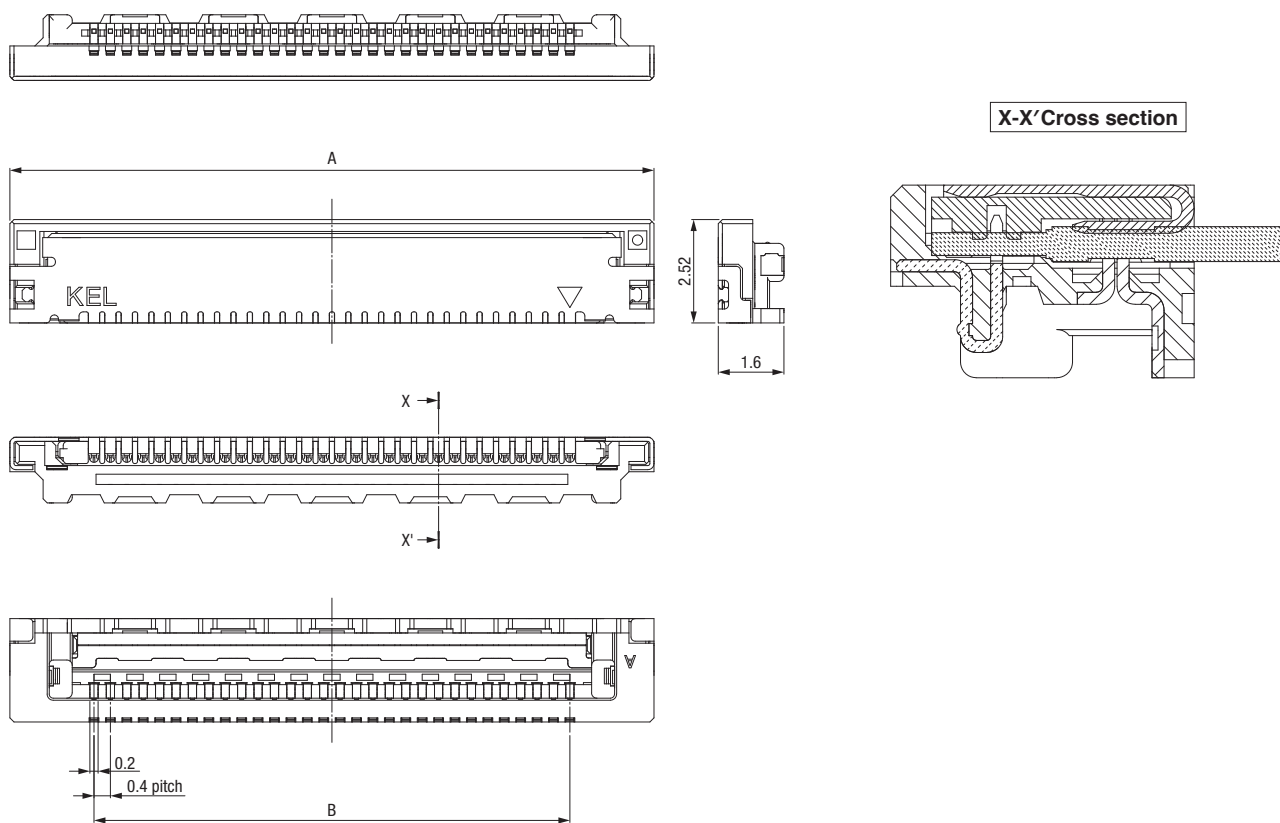
Packaging style
Embossed tape

**Product table**

Part number	Number of packaging
ASLS00-□□-A	500
ASLS00-□□-B	1,000
ASLS00-□□-C	3,000

**Product table / Dimensions**

No. of contacts	Part number	A	B	C	D	E	F	G
30	ASLS00-30-□	15.7	13.16	12.0	11.6	15.5	13.16	11.6
40	ASLS00-40-□	19.7	17.16	16.8	15.6	19.5	17.16	15.6
50	ASLS00-50-□	23.7	21.16	19.2	19.6	23.5	21.16	19.6


**▶ Product table / Dimensions**

No. of contacts	Part number	A	B
30	ASLS20-30	15.7	11.6
40	ASLS20-40	19.7	15.6
50	ASLS20-50	23.7	19.6

\*ASLS20-□□\* connector cannot be sold separately as it provides a complete harness.

## Cable assembly

ORDER CODE

**ASLS20** -    -          .    -       (    )   

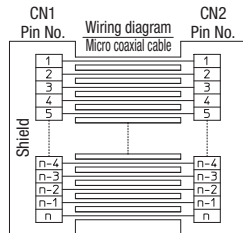
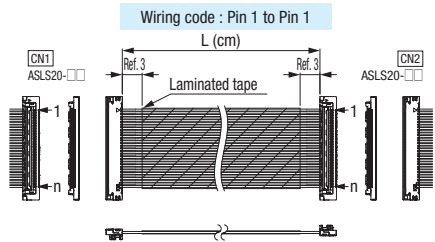
①                      ②                      ③                      ④                      ⑤                      ⑥                      ⑦

- |  |  |
|--|--|
| ① <b>[Type]</b> <b>ASLS20</b> : Plug (Cable side connector)                            | ⑤ <b>[Laminated tape]</b> <b>No code</b> : Without tape <b>H</b> : With tape                 |
| ② <b>[Number of contacts]</b> <b>30</b> : 30 pin <b>40</b> : 40 pin <b>50</b> : 50 pin | ⑥ <b>[Quantity]</b> <b>(A)</b> : 1 to 9pcs <b>(B)</b> : 10 to 49pcs <b>(C)</b> : 50 to 99pcs |
| ③ <b>[Cable length (cm)]</b> <b>L</b> :Cable length (Example : 013.5=13.5cm)*1         | <b>(D)</b> : 100pcs or more  |
| ④ <b>[Wiring code]</b> <b>B</b> : Pin 1 to Pin 1 <b>C</b> : Pin 1 to Pin n             | ⑦ <b>[Cable classification]</b> <b>S</b> : Standard *2                                       |

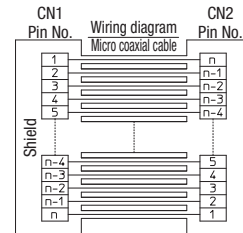
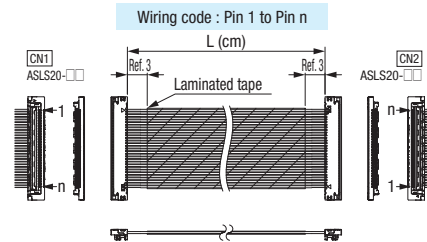
\*1.Applicable cable length : 4 to 100cm Minimum cable length for ASLS20-□□-□□□□-□-□□□□: 7cm  
\*2.If you have a specified cable, please contact your local KEL sales office.

### Cable assembly style

Unit : mm



\* "n" is number of contacts.



\* "n" is number of contacts

\*ASLS20-□□" connector cannot be sold separately as it provides a complete harness.

\*Please contact your local KEL sales office for inquiries regarding cable length and tolerance.

\*Laminated tape is designed to be a little wider than the cable width. Please contact your local KEL sales office for further details.