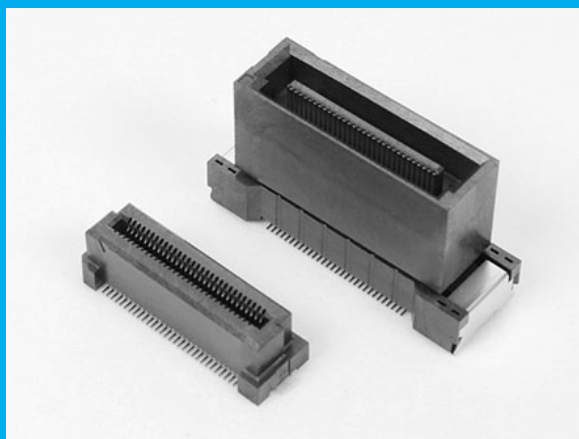


DT12/13 SERIES

0.5mm PITCH FLOATING CONNECTOR / HIGH HEAT RESISTANCE TYPE



RoHS
Compliant



*Left : Plug (DT1□-060S-8-T)

FEATURES

*When mated with "DT0□-060FS-10-T" on the receptacle side.

- ▶ The operating temperature support up to +125°C.
- ▶ Floating amount ± 1.0 mm in both X and Y directions.
- ▶ Highly reliable design with effective mating length of 1.5mm.
- ▶ With or without positioning posts.
- ▶ 60pin is available.
- ▶ The connection type is stacked mating.
- ▶ The stacked mating type has a stacking height of 18mm.

ORDER CODE

DT1□ - 060S - 8 - T

① ② ③ ④ ⑤

*Please order in multiples of the quantity per package.

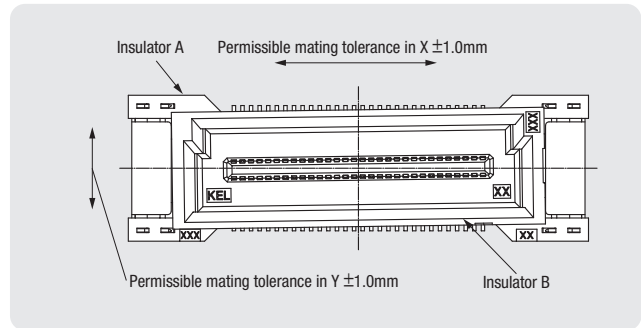
- ① **[Type]** Plug **DT12** : Without positioning posts **DT13** : With positioning posts
- ② **[Number of contacts]** **060** : 60pin
- ③ **[Contact tail style]** **S** : Straight
- ④ **[Stacked height]** (DT0□-060FS-10-T Mated situation) **8** : 18mm
- ⑤ **[Anti-dust tape]** **T** : With anti-dust tape

SPECIFICATIONS

Material and plating		Electrical characteristics	
Insulator material	Glass-filled LCP (UL94V-0), Black	Rated current	0.4A per contact
Contact material	Copper alloy	Contact resistance	80mΩ max.
Contact plating	Gold over Nickel	Dielectric withstanding voltage	200V AC for 1 minute.
Retention clip material	Copper alloy	Insulation resistance	100MΩ min. at 250V DC
Retention clip plating	Tin over Nickel	Operating temperature	-40°C to +125°C
Material of anti-dust tape	Polyimide		

Floating structure

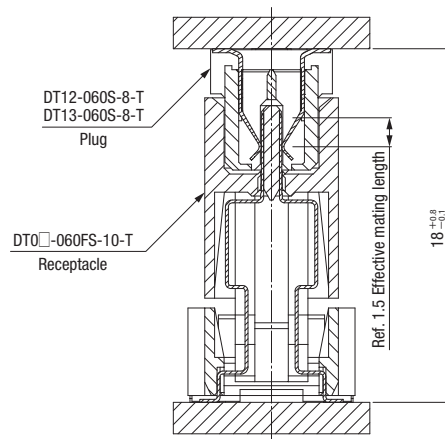
When the connector is mounted on the printed circuit board, a position error in the two directions of horizontal and vertical (XY direction) may occur at both connectors. In addition, if each printed circuit board is fixed to a case by screws after mating connectors, the connectors may have to compensate for the position error because a gap occurs during screwing the printed circuit board. A connector having a tolerance to compensate for such an error or gap caused by vibration is called a floating connector. The DT12/13 series is a 0.5mm fine pitch connector with $\pm 1.0\text{mm}$ floating structure and ensures sufficient compensation for position errors. (DT0□-060FS-10-T Mated situation)

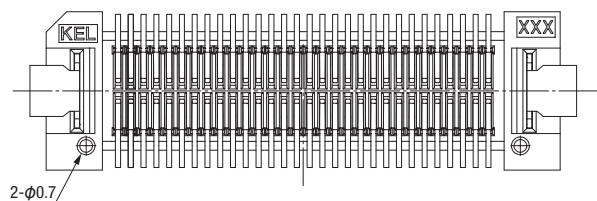
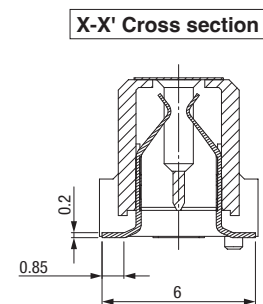
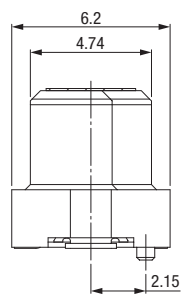
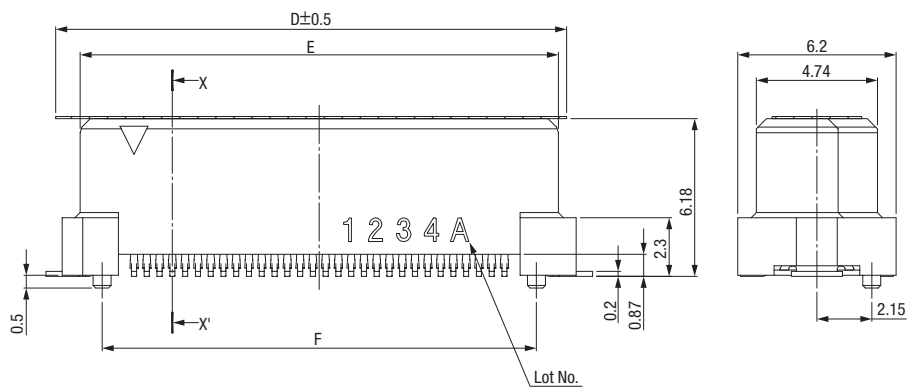
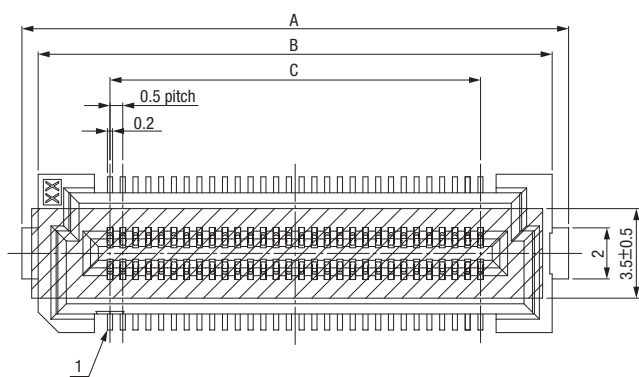
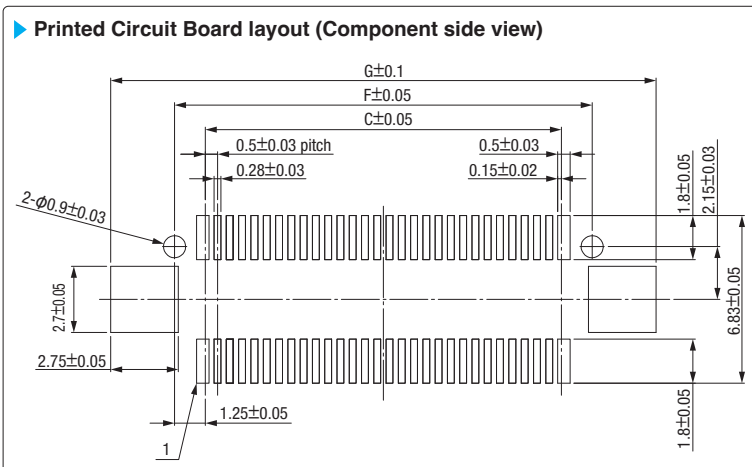


Mating drawing

Unit : mm

Stacked mating





Packaging style
Embossed tape

▶ Product table / Dimensions

No. of contacts	Part number	A	B	C	D	E	F	G	No. of packaging
60	DT1□-060S-8-T	21.4	20.12	14.5	20	18.72	17	22.2	750

Please contact our sales representative.

KEL Company Profile

Trade Name: KEL CORPORATION
Established : July 23, 1962
Total Capital: 1,617 Million Yen
President : Akira Kasuga
Head Office : 6-17-7 Nagayama, Tama,
Address Tokyo 206-0025, Japan
URL : www.kel.jp

Factories

- Yamanashi Factory (Nishi-Yatsushiro, Yamanashi)
- Nagano Factory (Kita-azumi, Nagano)
- Minami-Alps Factory (Minami-Alps, Yamanashi)

B.C.E. s.r.l.

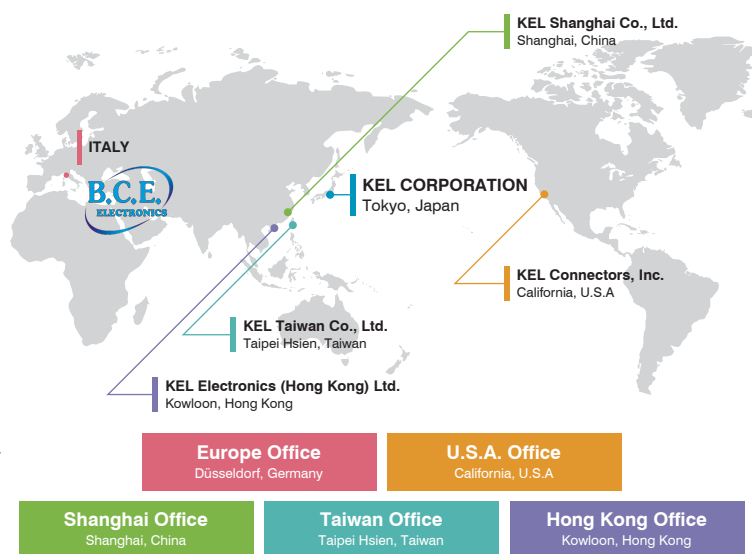
Via Regina Pacis, 54/c - 41049 SASSUOLO (MO) Italy
Tel. +39 0536 811.616 r.a. - Fax +39 0536 811.500
www.bce.it - E-mail: bce@bce.it

www.kel.jp

KEL provides the products from a connector to a rack.

KEL CORPORATION

Global Network



More Information
https://www.kel.jp/feature/floating_lp_2



B.C.E. S.r.l.

Via Regina Pacis, 54/c - I 41049 Sassuolo (MO)
Tel.: (+39) 0536 811616 - Fax.: (+39) 0536 811500

e-mail: bce@bce.it - Website: www.bce.it