

DT-E-FS SERIES

RoHS
Compliant

8Gbps EQUIVALENT TRANSMISSION COMPATIBLE 0.5mm PITCH FLOATING CONNECTOR / WITH POWER CONTACT AND HIGH STACK TYPE (RECEPTACLE HEIGHT 10mm TYPE)



FEATURES

- ▶ High-speed serial transmission equivalent to 8Gbps
- ▶ With 4 power terminals (6.0A per contact)
- ▶ The floating amount is secured at $\pm 1.2\text{mm}$ in the XY direction.
- ▶ Highly reliable design with effective mating length of 1.5mm.
- ▶ With or without positioning posts.
- ▶ Six types of signal contacts are available, ranging from 30 to 120 pins.

*Currently considering adding 140 pins. If you have any requests, please contact our sales representative.

- ▶ The connection type is stacked mating.
- ▶ Stack heights range from 18mm to 30mm.

ORDER CODE

DT0 **E** - **030** **040** **060** **080** **100** **120** **FS-10-T**

① ② ③ ④ ⑤

*Please order in multiples of the quantity per package.

- | | |
|---|---|
| ① | [Type] Receptacle DT00E : Without positioning posts DT01E : With positioning posts |
| ② | [Number of contacts] 030 : 30pin 040 : 40pin 060 : 60pin 080 : 80pin 100 : 100pin 120 : 120pin
*Currently considering adding 140 pins. If you have any requests, please contact our sales representative. |
| ③ | [Contact tail style] FS : Flexible straight |
| ④ | [Stacked height] 10 : 10 mm type |
| ⑤ | [Anti-dust tape] T : With anti-dust tape |

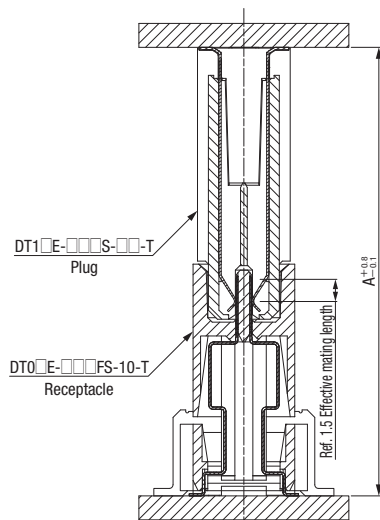
SPECIFICATIONS

Material and plating		Electrical characteristics	
Insulator material	Glass-filled LCP(UL94V-0), Black	Rated current	0.4A per contact (Signal contact) * 100 pins or less must be energized at the same time. 6.0A per contact (Power contact)
Signal/Power contact material	Copper alloy		Contact resistance
Signal/Power contact plating	(Contact area) Gold over Nickel (Terminal area) Gold over Nickel	Dielectric withstanding voltage	
Retention clip material	Copper alloy	Insulation resistance	100M Ω min. at 250V DC
Retention clip plating	Tin over Nickel	Operating temperature	-40°C to +105°C
Material of anti-dust tape	Polyimid		

Mating drawing

Unit : mm

Stacked mating

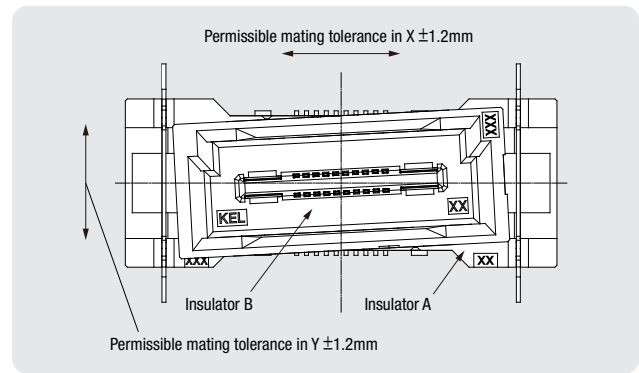


Product table / Dimensions

Part number	A
DT1□E-□□□S-8-T	18
DT1□E-□□□S-10-T	20
DT1□E-□□□S-15-T	25
DT1□E-□□□S-20-T	30

Floating structure

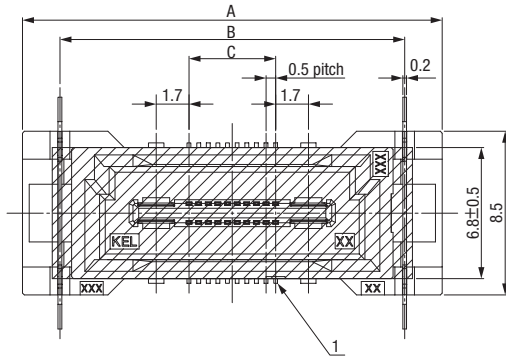
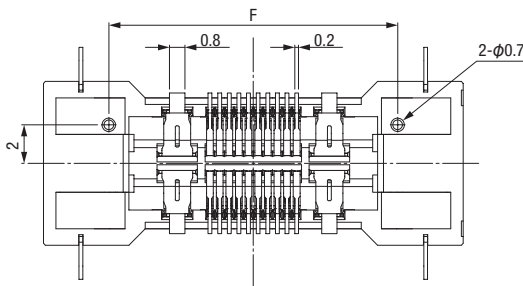
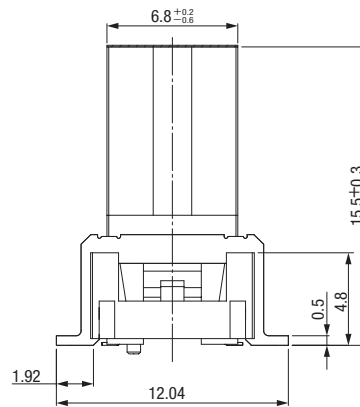
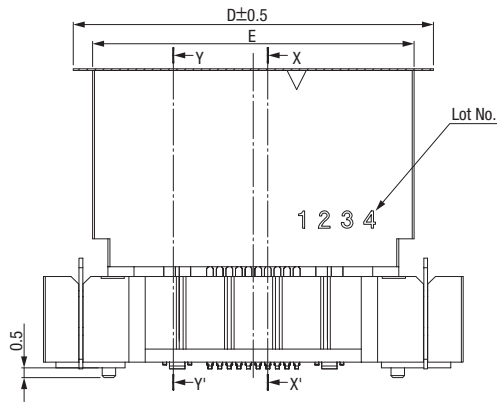
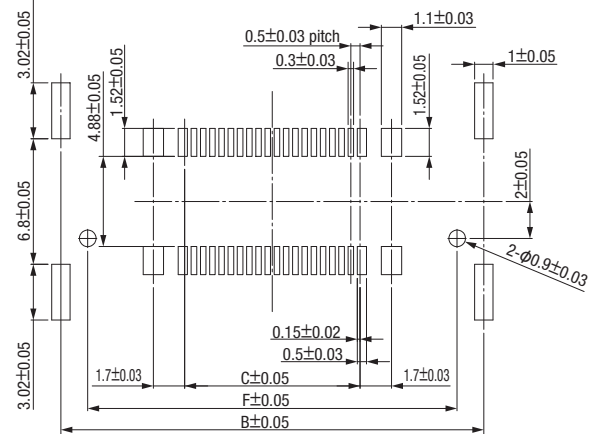
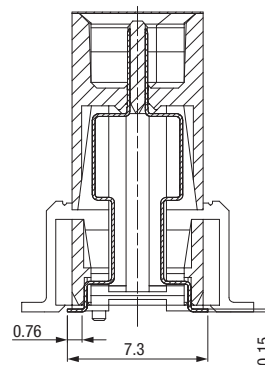
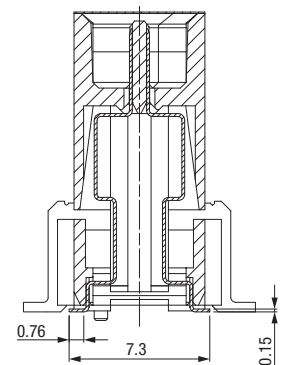
When the connector is mounted on the printed circuit board, a position error in the two directions of horizontal and vertical (XY direction) may occur at both connectors. In addition, if each printed circuit board is fixed to a case by screws after mating connectors, the connectors may have to compensate for the position error because a gap occurs during screwing the printed circuit board. A connector having a tolerance to compensate for such an error or gap caused by vibration is called a floating connector. The DT-E-FS series is a 0.5mm fine pitch connector with $\pm 1.2\text{mm}$ floating structure and ensures sufficient compensation for position errors.



Stacked mating / Product table

Stacked height	Part number		Amount of movement	No. of contacts						
	Receptacle	Plug		30	40	60	80	100	120	140
8mm	DT0□E-□□□S-T	DT1□E-□□□S-8-T	$\pm 0.7\text{mm}$	✓	✓	✓	✓	✓	✓	✓
10mm		DT1□E-□□□S-10-T		✓	✓	✓	✓	✓	✓	✓
15mm		DT1□E-□□□S-15-T		✓	✓	✓	✓	✓	✓	✓
18mm	DT0□E-□□□FS-10-T	DT1□E-□□□S-8-T	$\pm 1.2\text{mm}$	✓	✓	✓	✓	✓	✓	*
20mm	DT0□E-□□□S-T	DT1□E-□□□S-20-T	$\pm 0.7\text{mm}$	✓	✓	✓	✓	✓	✓	✓
		DT1□E-□□□S-10-T	$\pm 1.2\text{mm}$	✓	✓	✓	✓	✓	✓	✓
25mm	DT0□E-□□□FS-10-T	DT1□E-□□□S-15-T		✓	✓	✓	✓	✓	✓	*
30mm		DT1□E-□□□S-20-T		✓	✓	✓	✓	✓	✓	*

*If you need this number of contacts, please contact our sales representative.


▶ Printed Circuit Board layout (Component side view)

X-X' Cross section

Y-Y' Cross section

 Packaging style
 Embossed tape

▶ Product table / Dimensions

No. of contacts	Part number	A	B	C	D	E	F	No. of packaging
30	DT0□E-030FS-10-T	24.3	20.4	7.0	21.2	19.2	17.5	240
40	DT0□E-040FS-10-T	26.8	22.9	9.5	23.7	21.7	20.0	240
60	DT0□E-060FS-10-T	31.8	27.9	14.5	28.7	26.7	25.0	240
80	DT0□E-080FS-10-T	36.8	32.9	19.5	33.7	31.7	30.0	240
100	DT0□E-100FS-10-T	41.8	37.9	24.5	38.7	36.7	35.0	240
120	DT0□E-120FS-10-T	46.8	42.9	29.5	43.7	41.7	40.0	240

Please contact our sales representative.

KEL Company Profile

Trade Name: KEL CORPORATION
Established : July 23, 1962
Total Capital: 1,617 Million Yen
President : Akira Kasuga
Head Office : 6-17-7 Nagayama, Tama,
Address Tokyo 206-0025, Japan
URL : www.kel.jp

Factories

- Yamanashi Factory (Nishi-Yatsushiro, Yamanashi)
- Nagano Factory (Kita-azumi, Nagano)
- Minami-Alps Factory (Minami-Alps, Yamanashi)

B.C.E. s.r.l.

Via Regina Pacis, 54/c - 41049 SASSUOLO (MO) Italy
Tel. +39 0536 811.616 r.a. - Fax +39 0536 811.500
www.bce.it - E-mail: bce@bce.it

www.kel.jp

KEL provides the products from a connector to a rack.

KEL CORPORATION

Global Network



More Information
https://www.kel.jp/feature/floating_lp_2



B.C.E. S.r.l.

Via Regina Pacis, 54/c - I 41049 Sassuolo (MO)
Tel.: (+39) 0536 811616 - Fax.: (+39) 0536 811500

e-mail: bce@bce.it - Website: www.bce.it