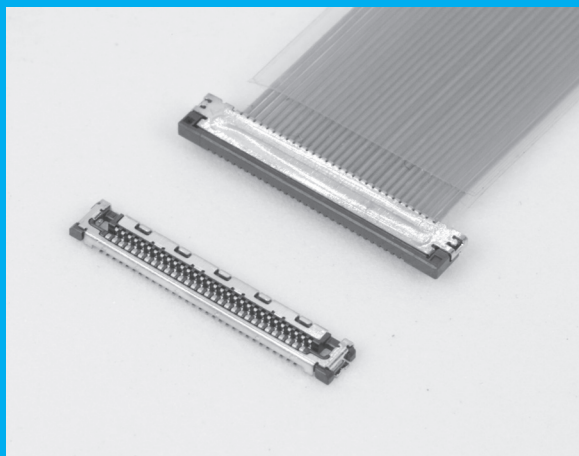


# ASLS SERIES

## 0.4mm PITCH CONNECTOR FOR MICRO COAXIAL CABLE (STACKING TYPE)



RoHS  
Compliant



### FEATURES

- ▶ Compact connector with a low profile of 1.65mm and a mating width of 3.05 mm.
- ▶ Non-magnetic realization that is not affected by magnetic field.
- ▶ Operating temperature can be up to 105°C.
- ▶ By providing locking mechanism on the contact and shell, good click feeling, reliable mating and increased cable lifting strength are achieved.
- ▶ Double crimp structure for shield cable is able to increase cable retention force.
- ▶ For reliable connection, contacts are designed with 2 contact points structure.
- ▶ Equipped with a metal shell, noise reduction and product strength are ensured.
- ▶ Achieved enhanced noise resistance (EMC) through multi-point ground contacts.
- ▶ By shape guide on mating entrance, excellent workability, reliable insertion, prevent miss-mating and contacts damage during mating process are achieved.
- ▶ Specially designed withdrawal jig is available.

### ORDER CODE

**ASLS00-30-□**

①      ②      ③

\*Please order in multiples of the quantity per package.

- ① **[Type] ASLS00** : Receptacle (PCB side connector)
- ② **[Number of contacts] 30** : 30 pin
- ③ **[Number of packaging] A** : 500pcs. per reel **B** : 1,000pcs. per reel **C** : 3,000pcs. per reel

### ORDER CODE

**ASLS20-30**

①      ②

- ① **[Type] ASLS20** : Plug (Cable side connector)
- ② **[Number of contacts] 30** : 30 pin

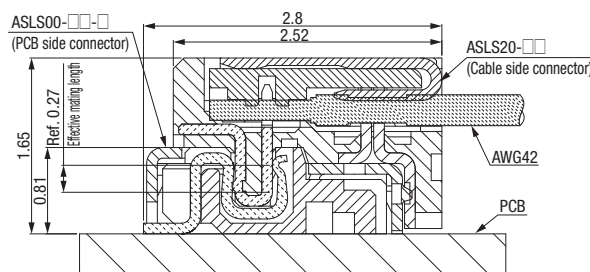
\*\*ASLS20-30\* connector cannot be sold separately as it provides a complete harness.

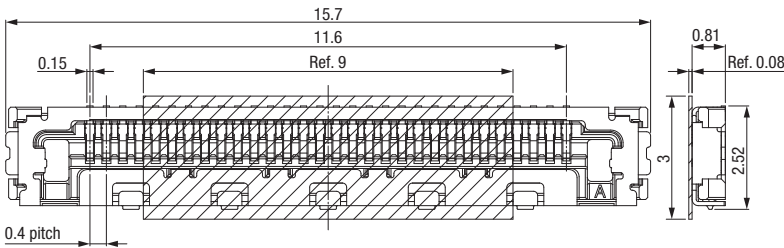
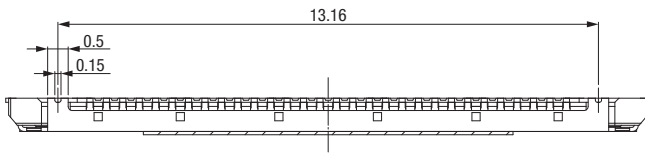
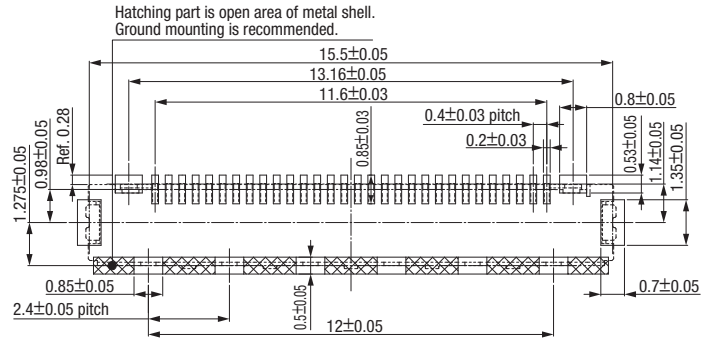
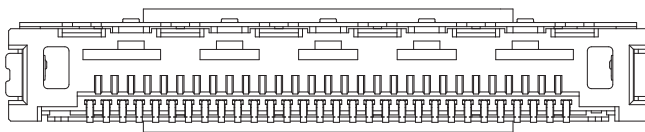
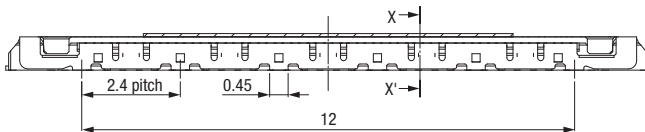
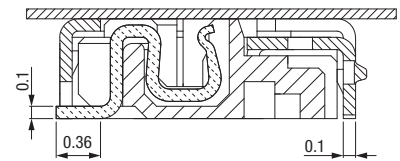
### SPECIFICATIONS

Material and plating		Electrical characteristics	
Insulator material	Glass-filled LCP(UL94V-0),Black	Rated current	0.25A per contact
Contact material	Copper alloy	Contact resistance	100mΩ max.
Contact plating	(Contact area) Gold over Nickel (Terminal area) Gold over Nickel	Dielectric withstanding voltage	200V AC for 1minute
Shell material	Copper alloy	Insulation resistance	100MΩ min.at 250V DC
Shell plating	Tin silver copper over Nickel	Operating temperature	-40°C to +105°C
Cover material	Glass-filled LCP(UL94V-0),Black	Applicable cable	#42 AWG Micro coaxial cable
Absorption tape material	[ASLS00] Polyimide		

### Mating drawing

Unit : mm



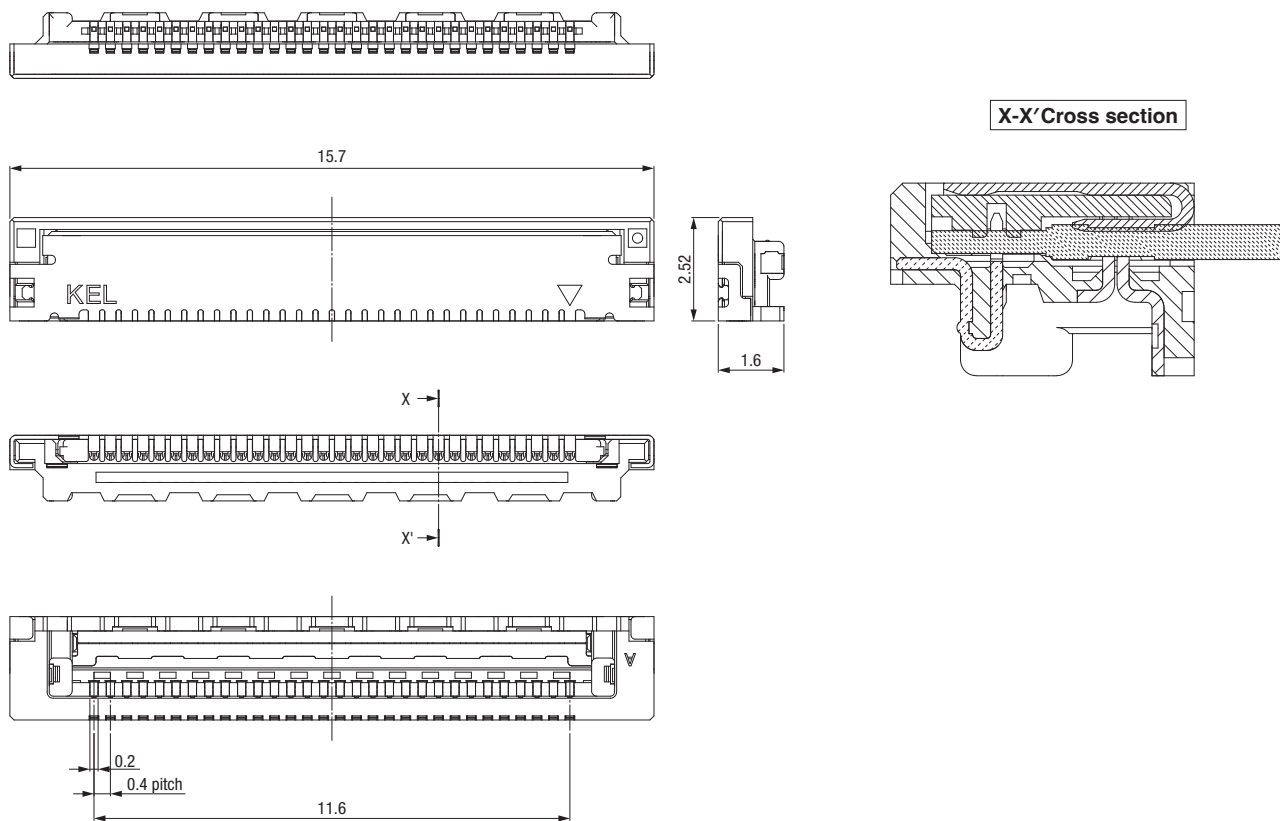
**Printed Circuit Board layout (Component side view)**

**X-X' Cross section**


Packaging style

Embossed tape

**Product table**

Part number	Number of packaging
ASLS00-30-A	500
ASLS00-30-B	1,000
ASLS00-30-C	3,000



\*ASLS20-30" connector cannot be sold separately as it provides a complete harness.

## Cable assembly

### ORDER CODE

**ASLS20-30-**

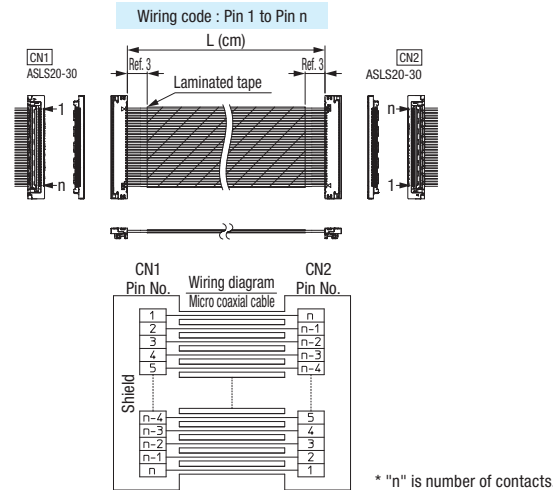
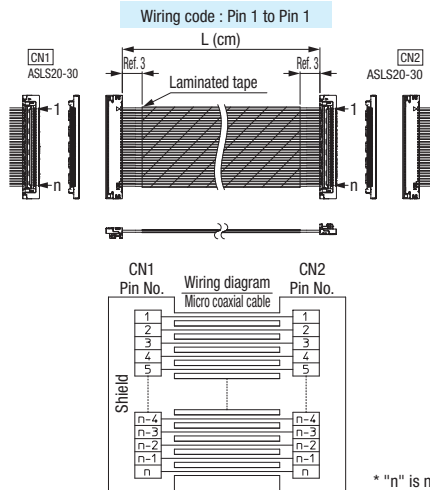
①            ②            ③            ④ ⑤            ⑥            ⑦

- |  |  |
|--|--|
| ① <b>[Type]</b> ASLS20 : Plug (Cable side connector)                   | ⑤ <b>[Laminated tape]</b> No code : Without tape H : With tape                               |
| ② <b>[Number of contacts]</b> 30 : 30 pin                              | ⑥ <b>[Quantity]</b> (A) : 1 to 9pcs (B) : 10 to 49pcs (C) : 50 to 99pcs (D) : 100pcs or more |
| ③ <b>[Cable length (cm)]</b> L : Cable length (Example : 013.5=13.5cm) | ⑦ <b>[Cable classification]</b> Y: Standard No code: Upon request                            |
| ④ <b>[Wiring code]</b> B : Pin 1 to Pin 1 C : Pin 1 to Pin n           |  |

\*Applicable cable length : 4 to 100cm Minimum cable length for ASLS20-□□-□□□□-□-□-□(□) : 7cm

### ► Cable assembly style

Unit : mm



\*ASLS20-30" connector cannot be sold separately as it provides a complete harness.

\*Please contact your local KEL sales office for inquiries regarding cable length and tolerance.

\*Laminated tape is designed to be a little wider than the cable width. Please contact your local KEL sales office for further details.