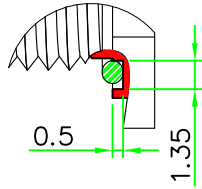
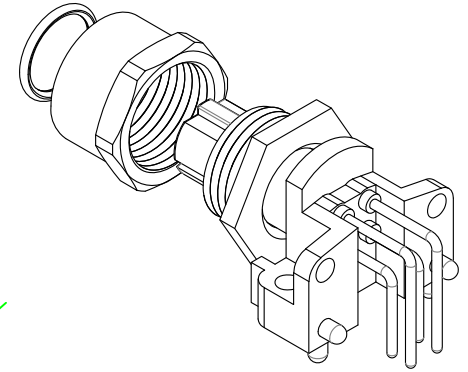
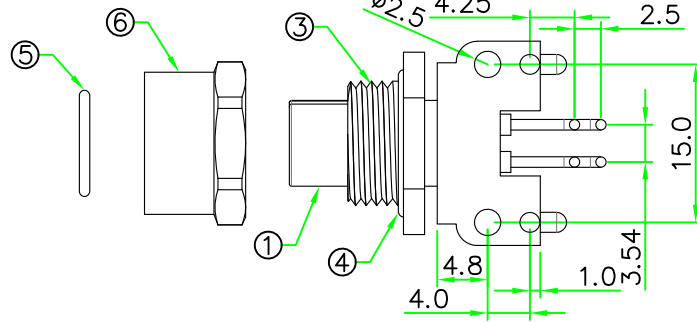
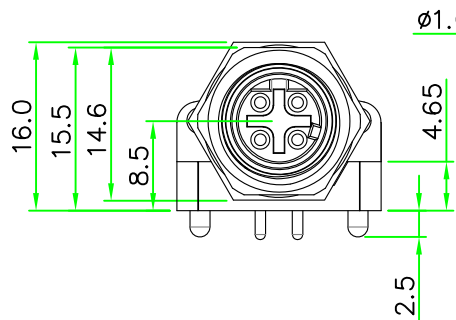


Recommended
Panel Cut-Out

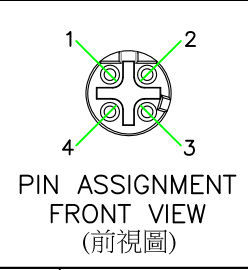
RoHS



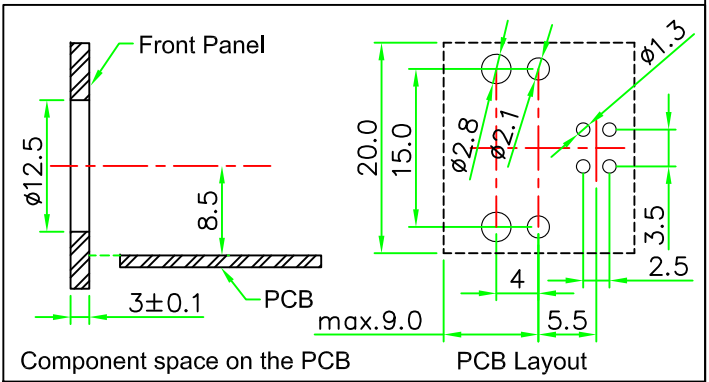
Detail A
Scale : 3:1



REV.	DESCRIPTION	DATE
A	ISSUE	Aug/27/2019



Notes:1.Correct Title.(Apr/6/2020)



No.	PART NAME	DESCRIPTION	COLOR	Q'TY	REMARKS
6	RING NUT	BRASS. Nickel Plated. M12 Female Thread.		1	
5	O-RING	VITON.	BLACK	1	
4	O-RING	VITON.	BLACK	1	
3	RING NUT	BRASS. Nickel Plated.M12 Male Thread.		1	
2	CONTACT	BRASS. 6u" Gold Plated. Female R/A Contact.		4	
1	CONNECTOR	M12 D-Coding 4P Female R/A Connector Insert, NYLON+GF.	BLACK	1	

HOLIN® HTP ASIA TECHNOLOGY CO., LTD.
禾凌科技股份有限公司

UNIT: mm
SCALE: 1.5:1

TITLE :
M12 D-Coding 4P Female R/A Connector

P/N: D12D-M204HPAR
DWG.NO: D12D-M204HPAR

UNLESS OTHERWISE SPECIFIED TOLERANCES:
x ± 1.0 xx ± 0.5
xxx ± 0.25 ANGLE ± 1'

REV. A SHEET 1/1

DR. James
CH. ERIC
AP.