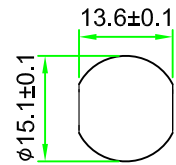
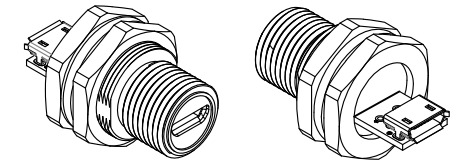
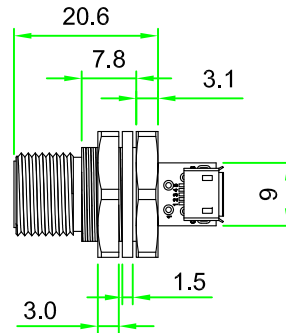


REV	DESCRIPTION	DATE
A	ISSUE	MAR/02/2017

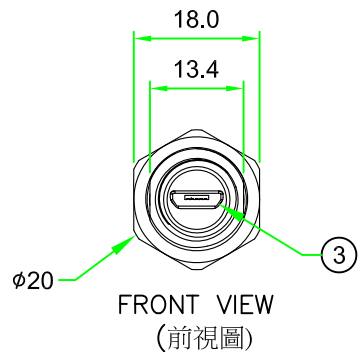
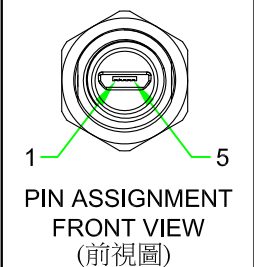
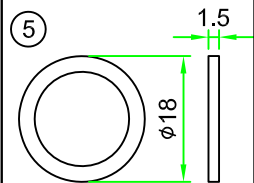
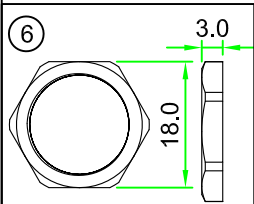


RECOMMENDED  
PANEL CUT OUT

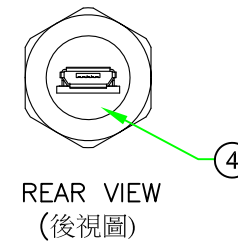
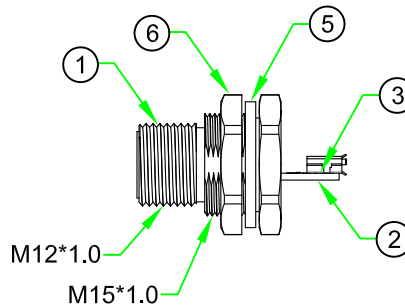


**RoHS**

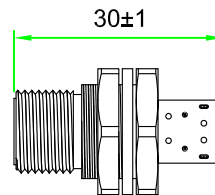
**IP66~68**



FRONT VIEW  
(前視圖)



REAR VIEW  
(後視圖)



Notes:

- Electrical Characteristics:
- Current Rating : 1A .
- Voltage : 30V.
- Insulation Resistance : >100 MΩ.
- Contact Resistance : < 40 mΩ.
- Connector Temperature Range : -30°C TO +80°C
- Dielectric Withstanding Voltage: 100V AC For One Minute
- Panel Thickness : 3.0mm Max.

No.	PART NAME	DESCRIPTION	COLOR	Q'TY	REMARKS
6	HEX NUT	Nylon+GF.	BLACK	1	
5	GASKET	EPDM.	BLACK	1	
4	GLUE	Epoxy.	BLACK	1	
3	CONNECTOR	Micro USB B Female 5 Pin PCB Connector.	BLACK	2	
2	PCB	FR4. 1.0mm Thickness. 4 layers.		1	
1	CONNECTOR	Connector Insert.Nylon+GF.	BLACK	1	

**HOLIN<sup>®</sup>** HTP ASIA TECHNOLOGY CO., LTD.  
禾凌科技股份有限公司

UNIT: mm  
SCALE: 1:1

TITLE: Micro USB B Type 5P Female to Female Rear Mount Hex Flange Panel Connector

P/N: USBMCB12-P3CSJ  
DR. SIBYL  
CH. ERIC  
AP.

DWG.NO: USBMCB12-P3CSJ

UNLESS OTHERWISE SPECIFIED TOLERANCES:  
.X ± 0.5 .XX ± 0.25  
.XXX ± 0.1 ANGLE ± 1°

REV. A SHEET 1/1