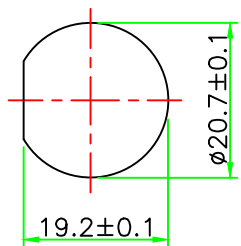
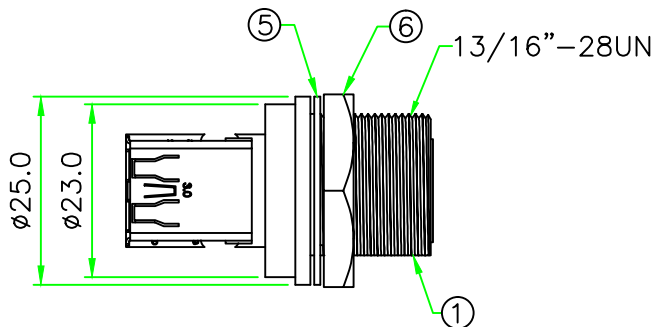
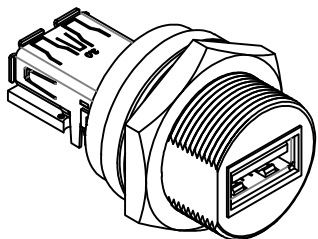
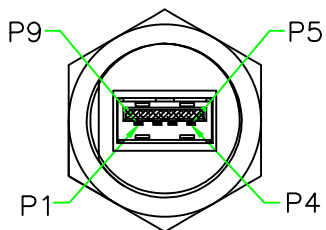


RoHS

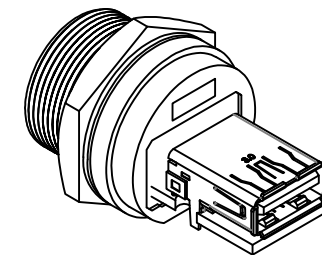
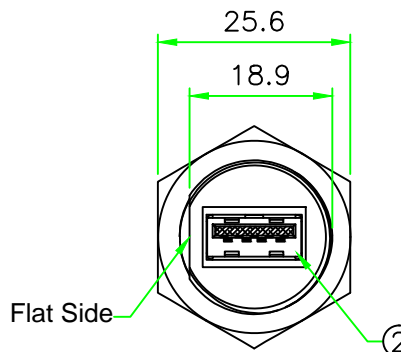
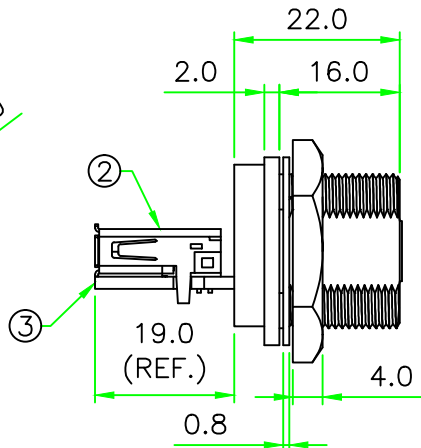
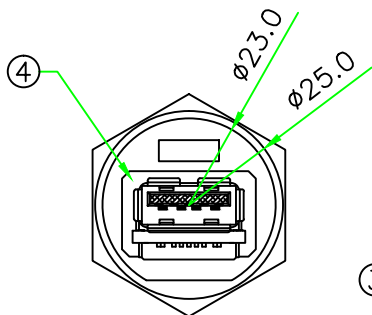
IP66~68



RECOMMENDED
PANEL CUT OUT



PIN ASSIGNMENT
FRONT VIEW
(前視圖)



REV	DESCRIPTION	DATE
A	ISSUE	Oct/03/2012
B	Change PN.	May/23/2014
B1	Correct Dimension.	Jun/25/2014
B2	Correct Dimension & Shape.	Jan/19/2016
C	Change PCB to 4 layers.	Jun/08/2016

Notes:
 Current Rating :
 1.8Amp (Pin1, Pin4 & Pin7 of USB3.0)
 0.25Amp (Others)
 Contact Resistance : 30m Ohm Max.
 Insulation Resistance : 100M Ohm Min.
 Operating Temperature : -55°C ~ +85°C.

HOLIN® HTP ASIA TECHNOLOGY CO., LTD.
 禾凌科技股份有限公司

	UNIT: mm	TITLE : USB 3.0 A TYPE FEMALE C SIZE SCREW TYPE CIRCULAR FLANGE PANEL WITH RIGHT ANGLE USB 3.0 A TYPE FEMALE
SCALE	1:1	
UNLESS OTHERWISE SPECIFIED TOLERANCES: x ±0.25 xx ±0.1 xxx ±0.05 ANGLE ± 1°X		P/N: USB3AC-P3CSJ
REV. C	SHEET 1/1	DWG.NO: USB3AC-P3CSJ
		DR. Stanley CH. ERIC AP.

No.	PART NAME	DESCRIPTION	COLOR	Q'TY	REMARKS
6	HEX NUT	NYLON+GF.	BLACK	1	
5	GASKET	EPDM.	BLACK	1	
4	GLUE	EPOXY.	BLACK	1	
3	PCB	P/N: PCB-USBAC. 4 layers.		1	
2	CONNECTOR	USB 3.0 A Type Female Connector.	BLUE	2	
1	BODY	USB A Type Female Connector Body. NYLON+GF.	BLACK	1	