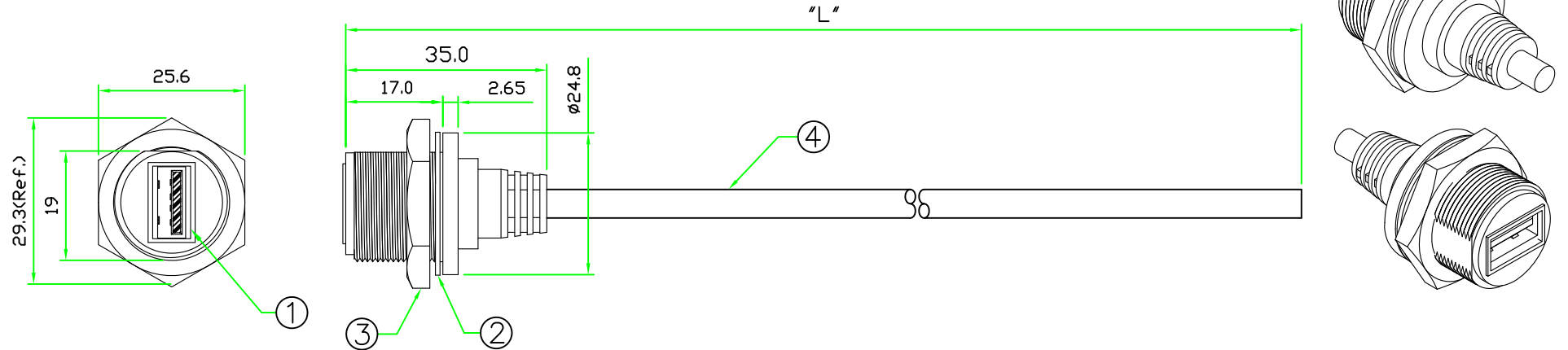
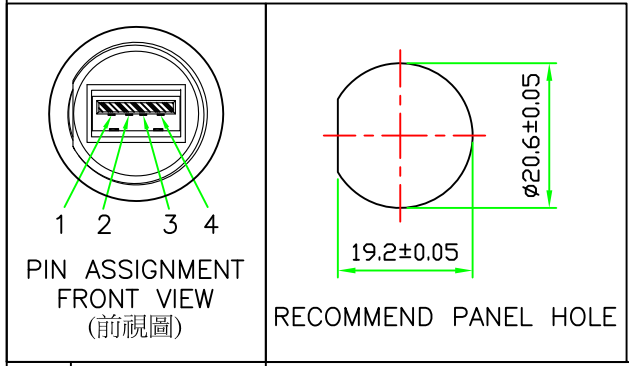


REV	DESCRIPTION	DATE
A	ISSUE	JUL/18/2012
A1	Correct P/N	APR/30/2013



Wiring Diagram

- 1 ——— RED(24AWG) 紅
- 2 ——— WHITE(28AWG) 白
- 3 ——— GREEN(28AWG) 綠
- 4 ——— BLACK(24AWG) 黑
- SHELL ——— DRAIN 地線



No.	PART NAME	DESCRIPTION	COLOR	Q'TY	REMARKS
4	CABLE	28AWGx1P+24AWGx2C+AL/MYLAR+DRAIN+BRAID. OD:5.0mm.	BLACK	1	
3	HEX NUT	NYLON+GF.	BLACK	1	42-135
2	GASKET	EPDM.	BLACK	1	84-135
1	CONNECTOR	USB A 2.0 TYPE FEMALE CONNECTOR.	WHITE	1	

**HOLIN** HTP ASIA TECHNOLOGY CO., LTD.  
禾凌科技股份有限公司

UNIT: mm TITLE : USB A 2.0 TYPE FEMALE PANEL SCREW & CIRCULAR FLANGE TYPE CABLE MOLDED

SCALE 1:1

UNLESS OTHERWISE SPECIFIED TOLERANCES:  
x ±0.25 xx ±0.1  
xxx ±0.05 ANGLE ± 1°X

P/N: USB2AC-P3CSM-xxM

DR. *jaek*  
CH. *Michael*  
AP.

REV. A1 SHEET 1/1 DWG.NO: USB2AC-P3CSM-xxM