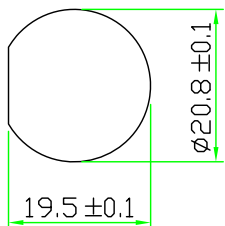


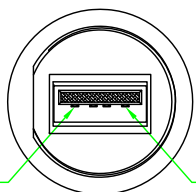
PROPRIETARY AND CONFIDENTIAL  
 THE INFORMATION CONTAINED IN THIS DRAWING IS THE SOLE PROPERTY OF HTP ASIA TECHNOLOGY CO., LTD. .  
 ANY REPRODUCTION IN PART OR AS A WHOLE WITHOUT THE WRITTEN PERMISSION OF HTP ASIA TECHNOLOGY CO., LTD. IS PROHIBITED.

**RoHS**

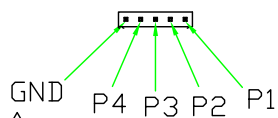
**IP66~68**



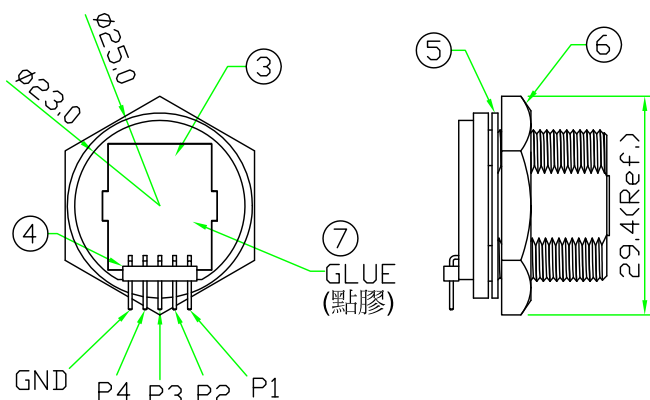
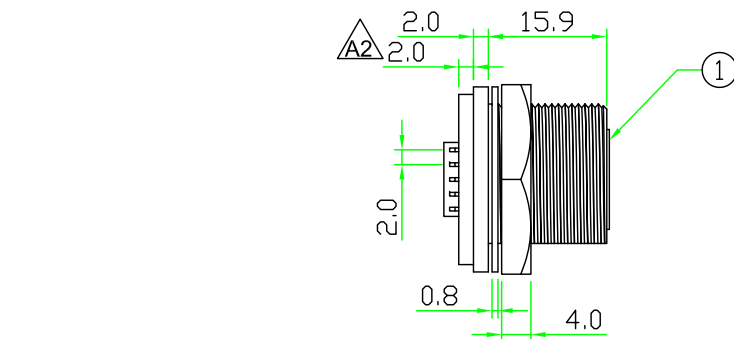
RECOMMENDED  
 PANEL CUT OUT



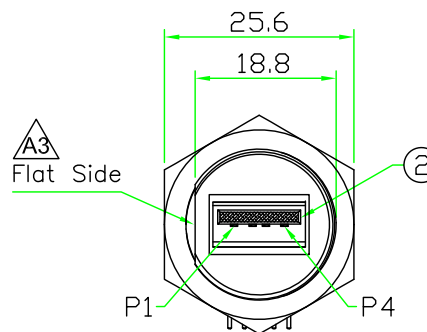
PIN ASSIGNMENT  
 FRONT VIEW(前視圖)



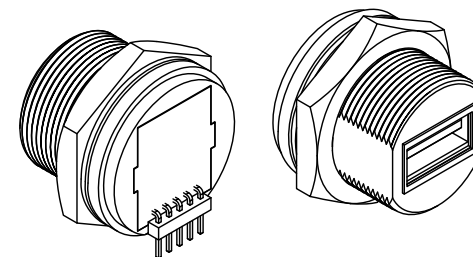
PIN ASSIGNMENT  
 REAR VIEW(後視圖)



REAR VIEW  
 (後視圖)



FRONT VIEW  
 (前視圖)



NOTES:

1. Current Rating: 1A
2. Connector Temperature Range: -25°C to 85°C
3. Contact Resistance: ≤30mΩ
4. Insulation Resistance: ≥100MΩ
5. Breakdown Voltage: ≥AC 500V/1 Minute

No.	PART NAME	DESCRIPTION	COLOR	Q'TY	REMARKS
7	GLUE	EPOXY.	BLACK		
6	HEX NUT	NYLON+GF.	BLACK	1	
5	GASKET	EPDM.	BLACK	1	
4	PIN HEADER	PITCH 2.0mm, Right Angle. 5P*1ROW.	BLACK	1	
3	PCB	FR4 . Double Side, 1.0mm Thickness.		1	
2	CONNECTOR	USB A Type Female Connector.		1	
1	BODY	USB A Type Female Connector Body. NYLON+GF.	BLACK	1	

REV.	DESCRIPTION	DATE
A	ISSUE	Jan/10/2013
A1	Add Note	Aug/26/2014
A2	Change length	Jan/27/2015
A3	Change flat edge direction	Mar/04/2015

**HOLIN® HTP ASIA TECHNOLOGY CO., LTD.**  
 禾凌科技股份有限公司

UNIT: mm  
 SCALE 1:1  
 TITLE : USB 2.0 A Type Female C Size Screw Type Circular Flange Panel 5 Pin Right Angle Pin Header

UNLESS OTHERWISE SPECIFIED TOLERANCES:  
 .X ± 0.25 .XX ± 0.1  
 .XXX ± 0.05 ANGLE ± 1'

REV. A3 SHEET 1/1  
 DWG.NO: USB2AC-P3C02

P/N: USB2AC-P3C02  
 DR. Patty  
 CH. ERIC  
 AP.