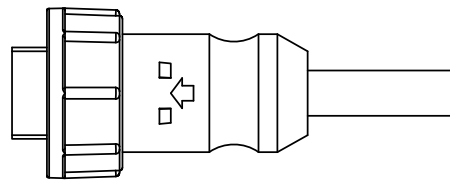
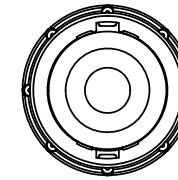
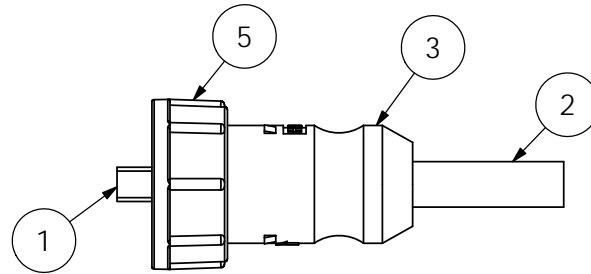
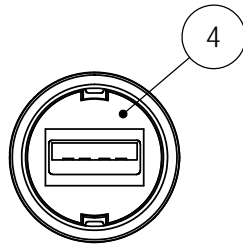
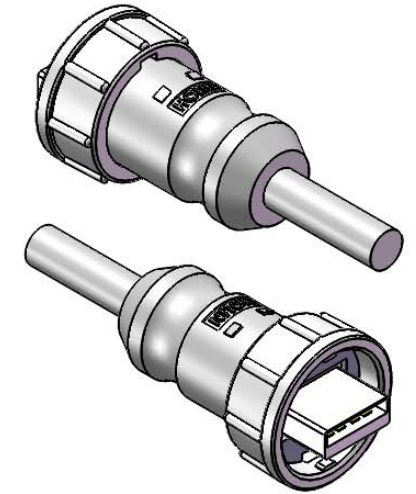
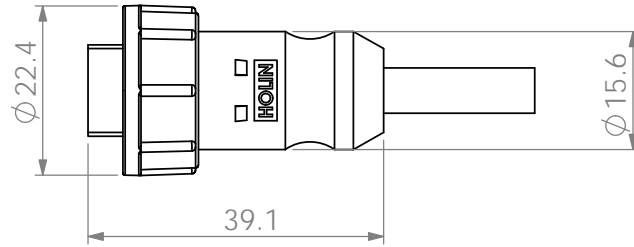


PROPRIETARY AND CONFIDENTIAL  
 THE INFORMATION CONTAINED IN THIS DRAWING IS THE SOLE PROPERTY OF HTP ASIA TECHNOLOGY CO., LTD. .  
 ANY REPRODUCTION IN PART OR AS A WHOLE WITHOUT THE WRITTEN PERMISSION OF HTP ASIA TECHNOLOGY CO., LTD. IS PROHIBITED.



Material :

1. Connector : USB Type A 2.0 Male Plug.
2. Cable : USB 2.0 Cable. 28AWGx1Pair+24AWGx2C+AEB. Black.
3. Overmold : PVC. Black.
4. Gasket : EPDM. Black.
5. Lock Nut : Nylon+GF. Black.

NAME	SIGNATURE	DATE
Jack	Jack	Aug/22/2009
Nick	Nick	Aug/22/2009

UNLESS OTHERWISE SPECIFIED:  
 DIMENSIONS ARE IN MILLIMETERS  
 SURFACE FINISH:  
 TOLERANCES:  
 LINEAR:  
 ANGULAR:

WEIGHT:

**HOLIN**® HTP ASIA TECHNOLOGY CO., LTD.  
 禾凌科技股份有限公司

TITLE:  
 USB 2.0 A TYPE MALE PLUG  
 C SIZE LOCK TYPE MOLDED CABLE

DWG NO.	USB2AC-L4SN-xxM	Rev.
		A

SCALE:1:1

SHEET 1 OF 1