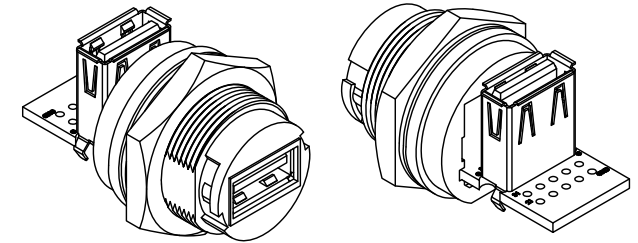
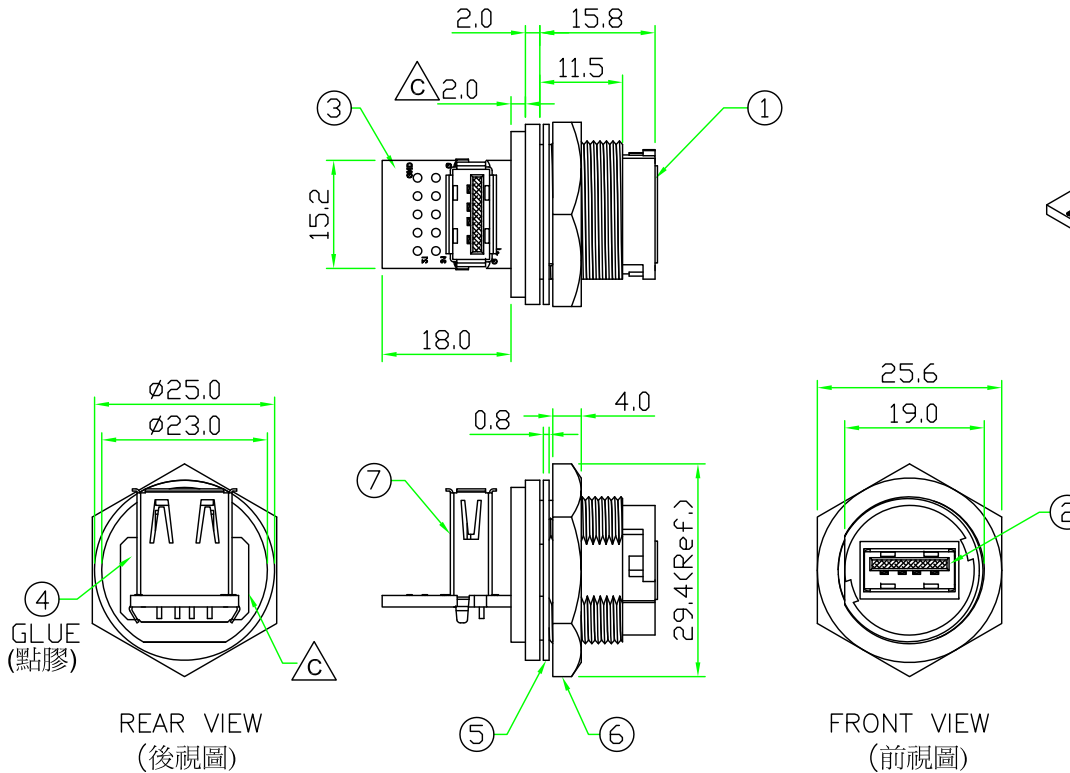


RECOMMENDED
PANEL CUT OUT

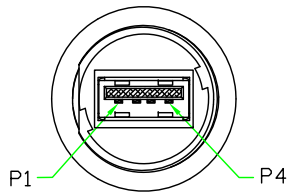
RoHS

IP66~68



NOTES:

1. Current Rating: 1A
2. Connector Temperature Range: -25°C to 85°C
3. Contact Resistance: ≤30mΩ
4. Insulation Resistance: ≥100MΩ
5. Breakdown Voltage: ≥AC 500V/1 Minute
6. Panel Thickness Max. 6.0 mm



PIN ASSIGNMENT
FRONT VIEW
(前視圖)

REAR VIEW
(後視圖)

FRONT VIEW
(前視圖)

OLD P/N:USB2AC-L3CSJ
(原型號)

7	CONNECTOR	USB 2.0 A Type Female Straight PCB Type.		1	
6	HEX NUT	NYLON+GF.	BLACK	1	
5	GASKET	EPDM.	BLACK	1	
4	GLUE	EPOXY.	BLACK	1	
3	PCB	FR4. Double Size, 1.6mm Thickness		1	
2	CONNECTOR	USB 2.0 A Type Female Connector.	WHITE	1	
1	BODY	USB A Type Female Connector Body. NYLON+GF.	BLACK	1	
No.	PART NAME	DESCRIPTION	COLOR	Q'TY	REMARKS

HOLIN® HTP ASIA TECHNOLOGY CO., LTD. 禾凌科技股份有限公司					
	UNIT: mm	TITLE : USB 2.0 A Type Female C Size Lock Type Circular Flange Panel With Straight USB 2.0 A Type Female			
	SCALE 1:1	UNLESS OTHERWISE SPECIFIED TOLERANCES: .x ± 0.5 .xx ± 0.25 .xxx ± 0.1 ANGLE ± 1'		P/N: USB2AC-L3CRJ	
REV. C	SHEET 1/1	DWG.NO: USB2AC-L3CRJ		DR. Patty	CH. ERIC
				AP.	