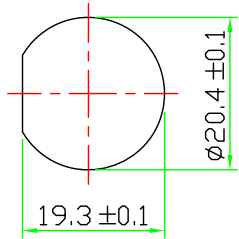


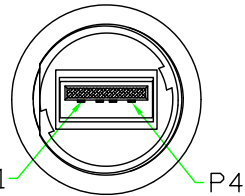
PROPRIETARY AND CONFIDENTIAL
 THE INFORMATION CONTAINED IN THIS DRAWING IS THE SOLE PROPERTY OF HTP ASIA TECHNOLOGY CO., LTD. .
 ANY REPRODUCTION IN PART OR AS A WHOLE WITHOUT THE WRITTEN PERMISSION OF HTP ASIA TECHNOLOGY CO., LTD. IS PROHIBITED.

RoHS

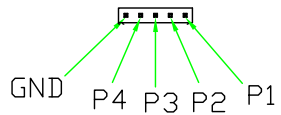
IP66~68



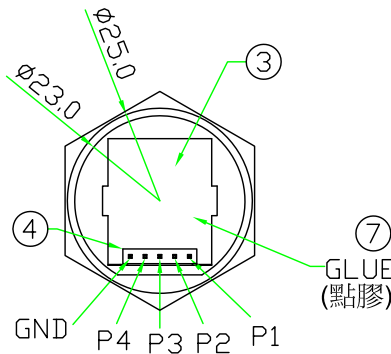
RECOMMENDED
 PANEL CUT OUT



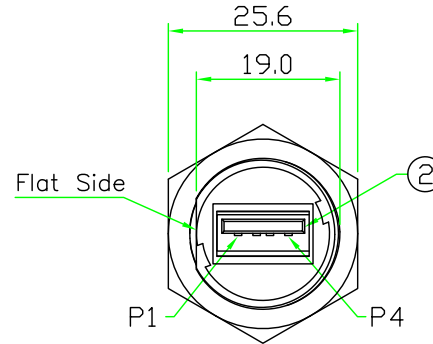
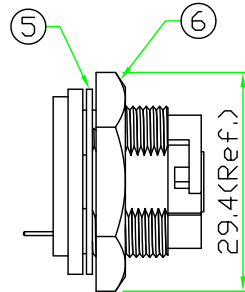
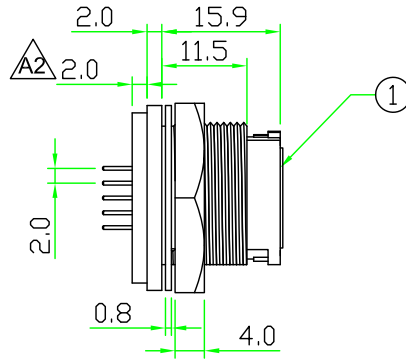
PIN ASSIGNMENT
 FRONT VIEW(前視圖)



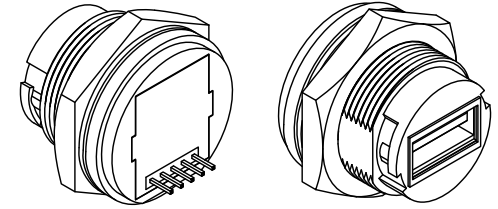
PIN ASSIGNMENT
 REAR VIEW(後視圖)



REAR VIEW
 (後視圖)



FRONT VIEW
 (前視圖)



NOTES:

1. Current Rating: 1A
2. Connector Temperature Range: -25°C to 85°C
3. Contact Resistance: ≤30mΩ
4. Insulation Resistance: ≥100MΩ
5. Breakdown Voltage: ≥AC 500V/1 Minute
6. Panel Thickness Max. 6.0 mm

7	GLUE	EPOXY.	BLACK		
6	HEX NUT	NYLON+GF.	BLACK	1	
5	GASKET	EPDM.	BLACK	1	
4	PIN HEADER	PITCH 2.0mm, Straight Angle. 5P*1ROW.		1	
3	PCB	FR4 . Double Side, 1.0mm Thickness.		1	
2	CONNECTOR	USB A Type Female Connector.		1	
1	BODY	USB A Type Female Connector Body. NYLON+GF.	BLACK	1	
No.	PART NAME	DESCRIPTION	COLOR	Q'TY	REMARKS

HOLIN® HTP ASIA TECHNOLOGY CO., LTD.
 禾凌科技股份有限公司

UNIT: mm	TITLE :	USB 2.0 A Type Female C Size Lock Type Circular Flange Panel 5 Pin Straight Pin Header	
SCALE	1:1	P/N:	USB2AC-L3C01
UNLESS OTHERWISE SPECIFIED TOLERANCES: .X ± 0.25 .XX ± 0.1 .XXX ± 0.05 ANGLE ± 1°		DR.	Patty
REV.	SHEET	CH.	ERIC
A2	1/1	DWG.NO:	USB2AC-L3C01
		AP.	