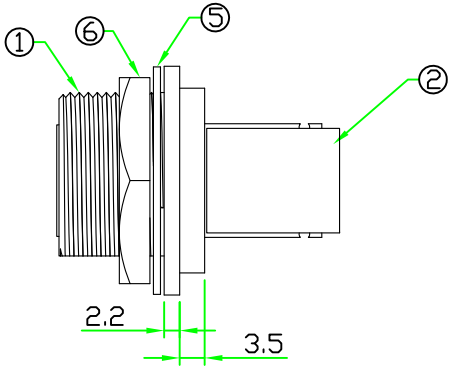
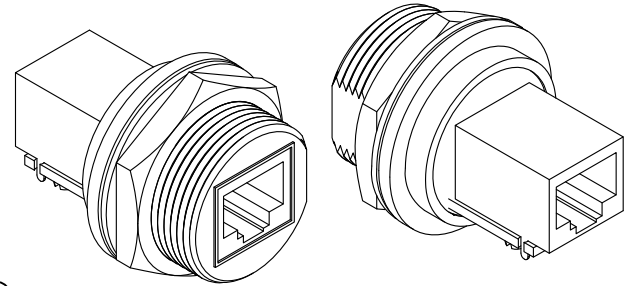
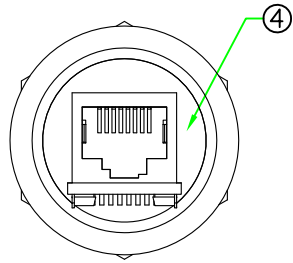
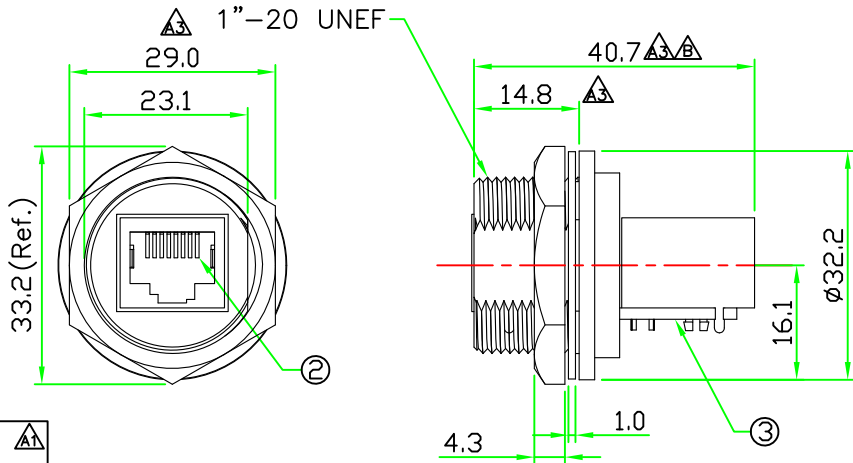


RECOMMENDED
PANEL CUT OUT

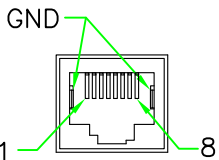


RoHS
IP66~68



NOTES:

1. Current Rating: 1A
2. Voltage Rating: 150 VAC Max.
3. Connector Temperature Range: -25°C to 85°C
4. Contact Resistance: ≤30mΩ
5. Insulation Resistance: ≥100MΩ
6. Dielectric Withstanding Voltage:
1KVrms at 60Hz, 1 minute between adjacent contacts.
1.5KVrms at 60Hz, 1 minute between shield and contacts.
7. Panel Thickness Max. 4.0



PIN ASSIGNMENT
FRONT VIEW
(前視圖)

原型號為:RJ45D-PJCRJ
(OLD NO.)

No.	PART NAME	DESCRIPTION	COLOR	Q'TY	REMARKS
6	HEX NUT	NYLON+GF.	BLACK	1	
5	GASKET	EPDM.	BLACK	1	
4	GLUE	EPOXY.	BLACK	1	
3	PCB	FR4, 4 Layers. 1.6mm Thickness.		1	
2	RJ45 JACK	RJ45 Jack with Shield. Right Angle Type.		2	
1	CONNECTOR	RJ45 Jack Connector Insert. NYLON+GF.	BLACK	1	

HOLIN® HTP ASIA TECHNOLOGY CO., LTD.
禾凌科技股份有限公司

	UNIT: mm	TITLE : RJ45 JACK D Size Panel Connector Rear Mount Screw Type Round Flange With Right Angle RJ45 Shield Jack	
SCALE	1:1	P/N: RJ45D-P3CSJ	DR. Patty
UNLESS OTHERWISE SPECIFIED TOLERANCES: x ±0.5 xx ±0.25 xxx ±0.1 ANGLE ± 1'			CH. ERIC
REV. B	SHEET 1/1	DWG.NO: RJ45D-P3CSJ	AP.