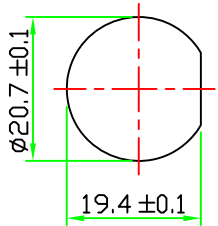


PROPRIETARY AND CONFIDENTIAL
 THE INFORMATION CONTAINED IN THIS DRAWING IS THE SOLE PROPERTY OF HTP ASIA TECHNOLOGY CO., LTD. .
 ANY REPRODUCTION IN PART OR AS A WHOLE WITHOUT THE WRITTEN PERMISSION OF HTP ASIA TECHNOLOGY CO., LTD. IS PROHIBITED.

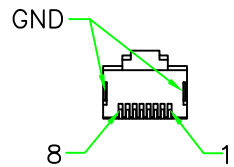
RoHS

IP66~67

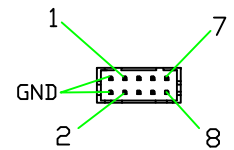
REV.	DESCRIPTION	DATE
A	ISSUE	Mar/07/2014
B	Add Electrical Characteristics & Change design	Feb/05/2016



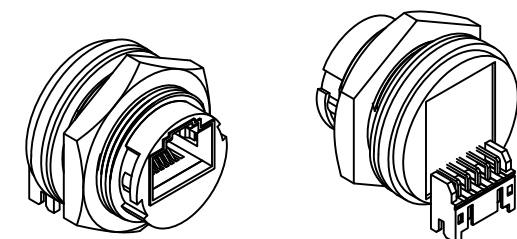
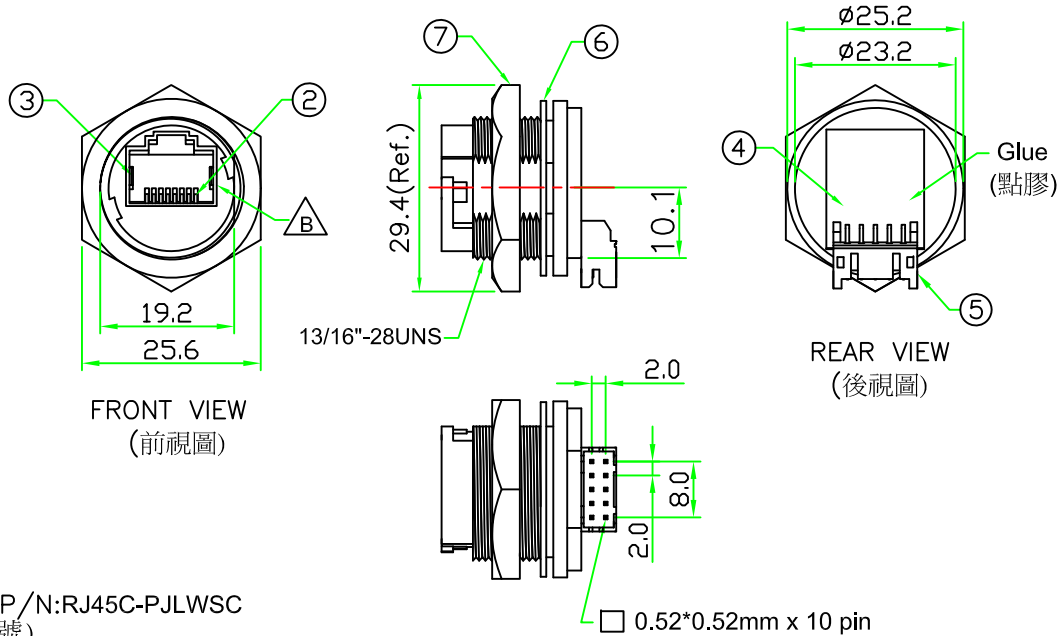
RECOMMENDED
 PANEL CUT OUT



PIN ASSIGNMENT
 FRONT VIEW(前視圖)



PIN ASSIGNMENT
 REAR VIEW(後視圖)



- NOTES:**
1. Current Rating: 1A
 2. Voltage Rating: 150 VAC Max.
 3. Connector Temperature Range: -25°C to 85°C
 4. Contact Resistance: ≤30mΩ
 5. Insulation Resistance: ≥100MΩ
 6. Panel Thickness Max. 4.0mm

OLD P/N:RJ45C-PJLWSC
 (原型號)

No.	PART NAME	DESCRIPTION	COLOR	Q'TY	REMARKS
7	HEX NUT	NYLON+GF.	BLACK	1	
6	GASKET	EPDM.	BLACK	1	
5	WAFER	Right angle wafer, PITCH 2.0mm, 5P*2ROW.	NATURE	1	
4	PCB	FR4. Double Side, 1.0mm Thickness.		1	
3	GROUND	Ground Contact. SUS304.		2	
2	CONTACT	RJ45 Pin Contact. Phos. Bronze 50u" gold plating.		8	
1	CONNECTOR	RJ45 Jack Connector Body. NYLON+GF.	BLACK	1	

HOLIN® HTP ASIA TECHNOLOGY CO., LTD.
 禾凌科技股份有限公司

UNIT: mm
 SCALE: 1:1

TITLE: RJ45 Jack C Size Panel Connector
 Lock Type Round Flange
 Right Angle Wafer

P/N: RJ45C-L3C04
 DWG.NO: RJ45C-L3C04

DR. Patty
 CH. ERIC
 AP.

UNLESS OTHERWISE SPECIFIED TOLERANCES:
 .x ± 0.5 .xx ± 0.25
 .xxx ± 0.1 ANGLE ± 1°

REV. B SHEET 1/1