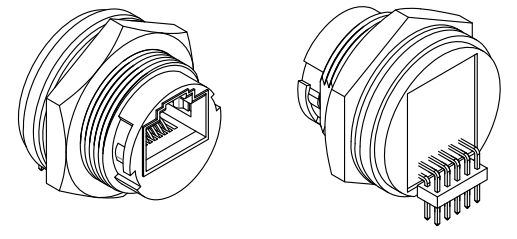
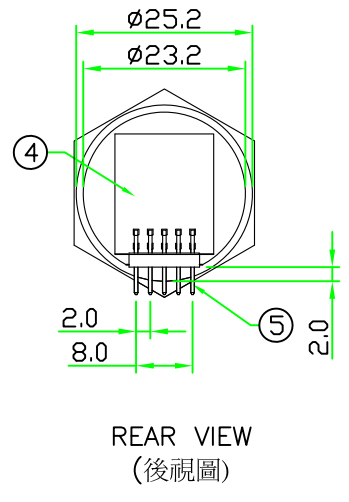
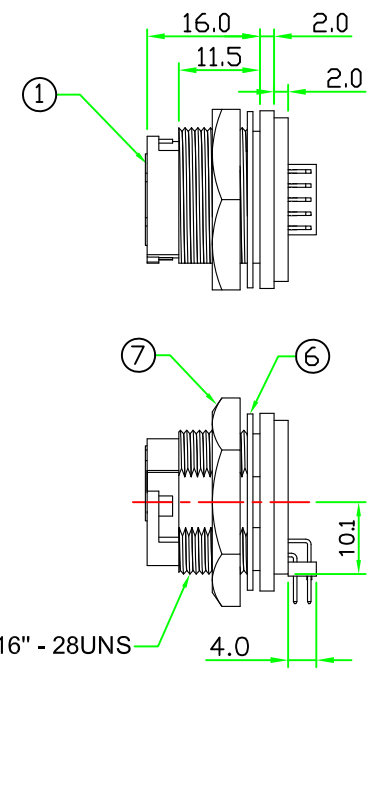
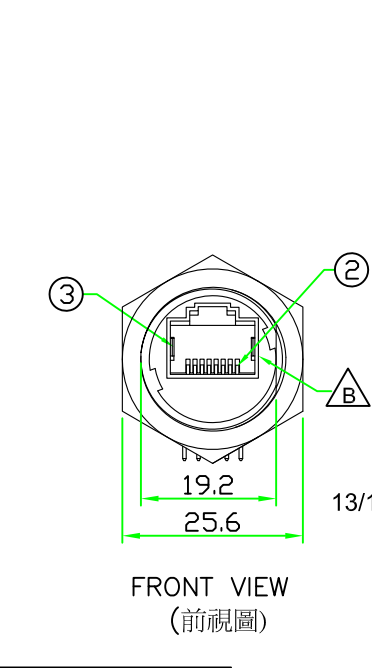
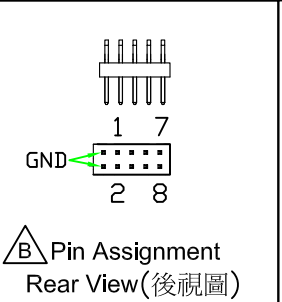
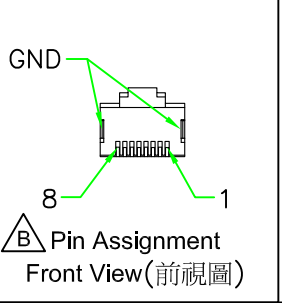
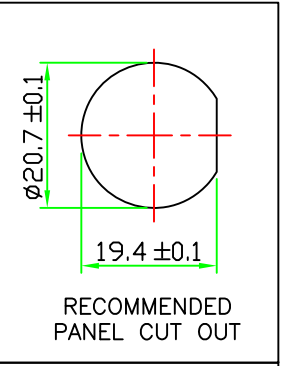
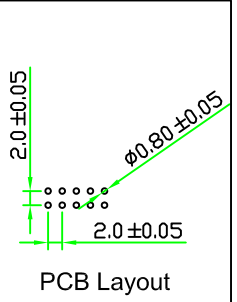


RoHS
IP66~67

REV.	DESCRIPTION	DATE
A	ISSUE	May/11/2014
B	Add Electrical Characteristics & Change design	Feb/05/2016



- NOTES:**
1. Current Rating: 1A
 2. Voltage Rating: 150 VAC Max.
 3. Connector Temperature Range: -25°C to 85°C
 4. Contact Resistance: ≤30mΩ
 5. Insulation Resistance: ≥100MΩ
 6. Panel Thickness Max. 4.0mm



OLD P/N: RJ45C-PJLRC (原型號)

7	HEX NUT	NYLON+GF.	BLACK	1	
6	GASKET	EPDM.	BLACK	1	
5	CONNECTOR	R/A Pin Header, Pitch 2.0mm, 5P*2ROW.	BLACK	1	
4	PCB	FR4. Double Side, 1.0mm Thickness.		1	
3	GROUND	Ground Contact. SUS304.		2	
2	CONTACT	RJ45 PIN Contact. Phos. Bronze 50u" Gold Plating.		8	
1	CONNECTOR	RJ45 JACK Connector Insert. NYLON+GF.	BLACK	1	
No.	PART NAME	DESCRIPTION	COLOR	Q'TY	REMARKS

HOLIN® HTP ASIA TECHNOLOGY CO., LTD.
禾凌科技股份有限公司

UNIT: mm
SCALE: 1:1

TITLE: RJ45 JACK C Size Panel Connector
Lock Type Round Flange
10P Right Angle Pin Header

P/N: RJ45C-L3C02
DR. Patty
CH. ERIC
AP.

DWG.NO: RJ45C-L3C02

UNLESS OTHERWISE SPECIFIED TOLERANCES:
.X ± 0.5 .XX ± 0.25
.XXX ± 0.1 ANGLE ± 1°

REV. B SHEET 1/1