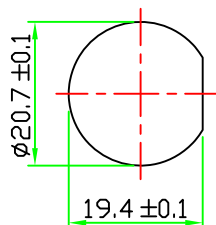


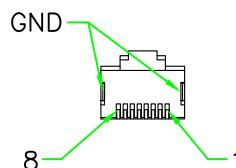
PROPRIETARY AND CONFIDENTIAL
 THE INFORMATION CONTAINED IN THIS DRAWING IS THE SOLE PROPERTY OF HTP ASIA TECHNOLOGY CO., LTD. .
 ANY REPRODUCTION IN PART OR AS A WHOLE WITHOUT THE WRITTEN PERMISSION OF HTP ASIA TECHNOLOGY CO., LTD. IS PROHIBITED.

RoHS

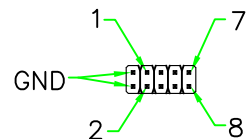
IP66~67



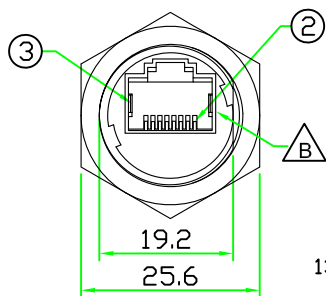
RECOMMENDED
PANEL CUT OUT



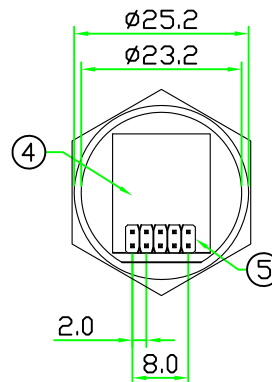
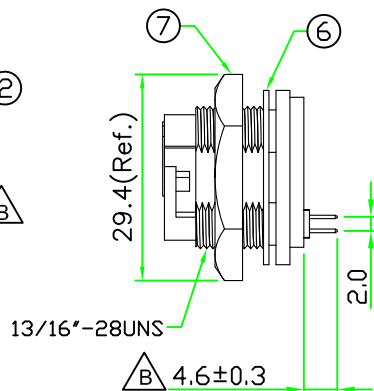
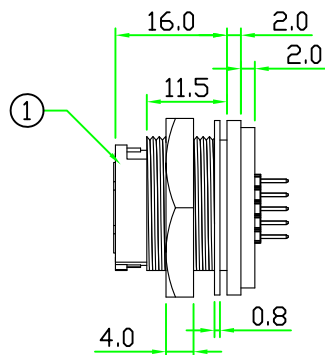
PIN ASSIGNMENT
FRONT VIEW(前視圖)



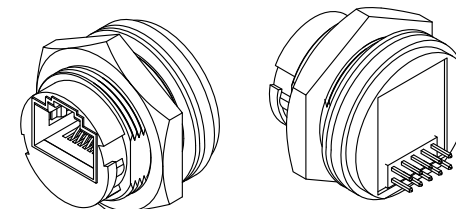
PIN ASSIGNMENT
REAR VIEW(後視圖)



FRONT VIEW
(前視圖)



REAR VIEW
(後視圖)



NOTES:

1. Current Rating: 1A
2. Voltage Rating: 150 VAC Max.
3. Connector Temperature Range: -25°C to 85°C
4. Contact Resistance: ≤30mΩ
5. Insulation Resistance: ≥100MΩ
6. Panel Thickness Max. 4.0mm

OLD P/N:RJ45C-PJLSC
(原型號)

7	HEX NUT	NYLON+GF.	BLACK	1	
6	GASKET	EPDM.	BLACK	1	
5	CONNECTOR	Pin Header, PITCH 2.0mm, 5P*2ROW.	BLACK	1	
4	PCB	FR4. Double Side, 1.0mm Thickness.		1	
3	GROUND	Ground Contact. SUS304.		2	
2	CONTACT	RJ45 Pin Contact. Phos. Bronze 50u" gold plating.		8	
1	CONNECTOR	RJ45 Jack Connector Body. NYLON+GF.	BLACK	1	
No.	PART NAME	DESCRIPTION	COLOR	Q'TY	REMARKS

HOLIN® HTP ASIA TECHNOLOGY CO., LTD. 禾凌科技股份有限公司					
	UNIT: mm	TITLE : RJ45 Jack C Size Panel Connector Lock Type Round Flange 10 Pin Straight Pin			
SCALE	1:1	P/N: RJ45C-L3C01		DR.	Patty
UNLESS OTHERWISE SPECIFIED TOLERANCES: X ± 0.5 .XX ± 0.25 .XXX ± 0.1 ANGLE ± 1'		DWG.NO: RJ45C-L3C01		CH.	ERIC
REV.	SHEET 1/1			AP.	