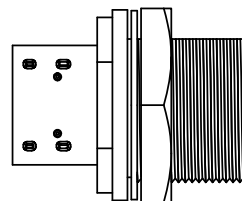
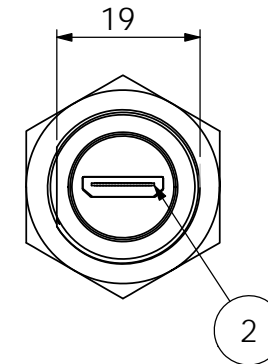
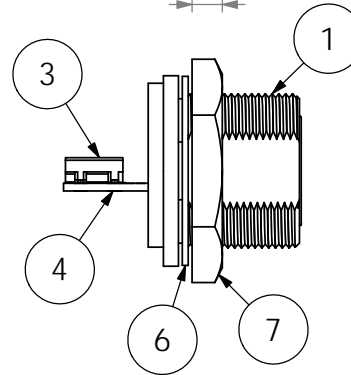
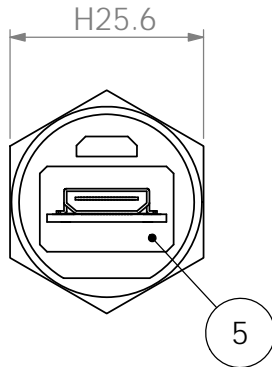
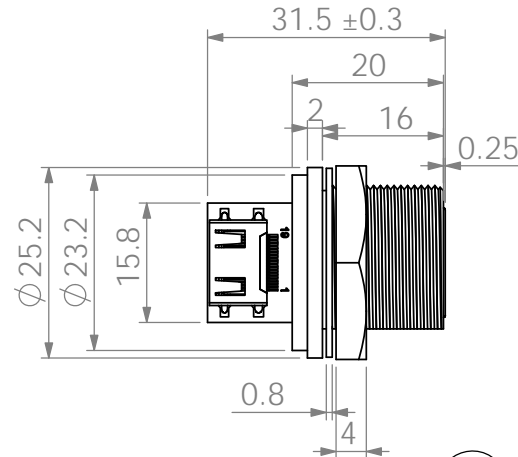
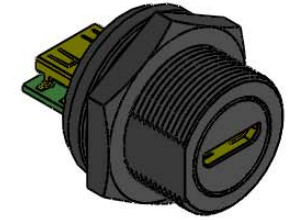
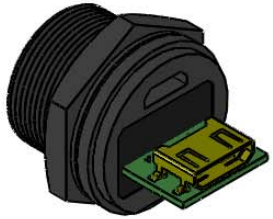


PROPRIETARY AND CONFIDENTIAL:

THE INFORMATION CONTAINED IN THIS DRAWING IS THE SOLE PROPERTY OF HTP ASIA TECHNOLOGY CO., LTD. .  
 ANY REPRODUCTION IN PART OR AS A WHOLE WITHOUT THE WRITTEN PERMISSION OF HTP ASIA TECHNOLOGY CO., LTD. IS PROHIBITED.



Material:

1. Connector Insert : Nylon+GF. Black.
2. HDMI C Type Jack SMT Side Entry Connector.
3. HDMI C Type Jack SMT Side Entry Connector.
4. PCB : FR4. 1.0mm. 4 Layer.
5. Glue : Black.
6. Gasket : EPDM. Black.
7. Hex Nut : Nylon+GF. Black.

**HOLIN**® HTP ASIA TECHNOLOGY CO., LTD.  
 禾凌科技股份有限公司

NAME	SIGNATURE	DATE
Jack	<i>Jack</i>	Apr/05/2017
Nick	<i>Nick</i>	Apr/05/2017

UNLESS OTHERWISE SPECIFIED:  
 DIMENSIONS ARE IN MILLIMETERS  
 SURFACE FINISH:  
 TOLERANCES: x ± 0.25 . xx ± 0.1  
 xxx ± 0.05  
 ANGULAR: ± 1

TITLE:  
 C size HDMI C Type Female Connector  
 Rear Mount Circular Flange  
 Panel Connector

DWG NO.	HDMICC-P3CSJ	Rev.
		A