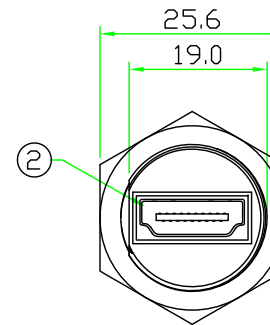
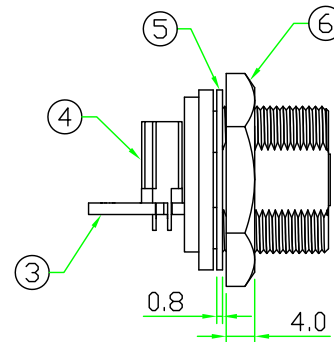
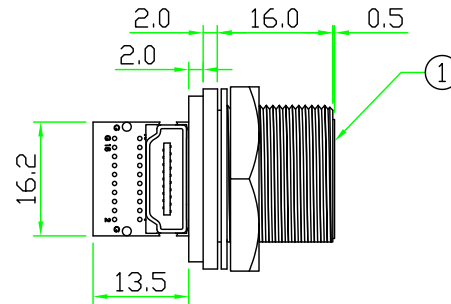
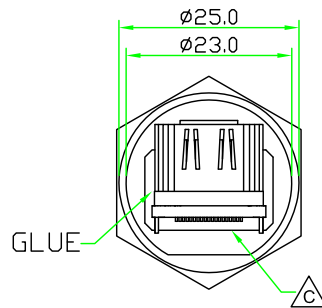


RECOMMEND
PANEL CUT OUT

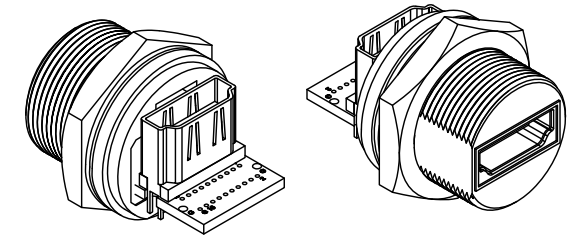
RoHS

IP66-68



FRONT VIEW
(前視圖)

REV	DESCRIPTION	DATE
A	ISSUE	Jan/10/2013
B	Change P/N NO.	May/09/2014
C	Change ① rear shape	Aug/13/2015
C1	Add HDMI logo	Sep/21/2015



NOTES:

1. ELECTRICAL CHARACTERISTICS:

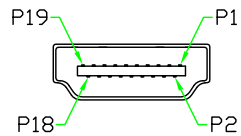
CURRENT RATING: 0.5A

CONNECTOR TEMPERATURE RANGE: -25°C TO +85°C

DIELECTRIC WITHSTANDING VOLTAGE:

500V AC FOR ONE MINUTE

2. PANEL THICKNESS MAX. 6.0mm



PIN ASSIGNMENT
FRONT VIEW
(前視圖)

OLD P/N: HDMIAC-P3CSJ
(原型號)

No.	PART NAME	DESCRIPTION	COLOR	Q'TY	REMARKS
6	HEX NUT	Nylon+GF.	BLACK	1	
5	GASKET	EPDM.	BLACK	1	
4	CONNECTOR	HDMI A Type Female S/T PCB Connector.		1	
3	PCB	FR4 . Double Side, 1.6mm Thickness.		1	
2	CONNECTOR	HDMI A Type Female R/A Connector.		1	
1	BODY	HDMI A Type Female Connector Body. Nylon+GF.	BLACK	1	

HOLIN® HTP ASIA TECHNOLOGY CO., LTD.
禾凌科技股份有限公司

UNIT: mm TITLE: HDMI A Type Female C Size
Screw Type Circular Flange Panel
With HDMI A Type Female

SCALE 1:1

UNLESS OTHERWISE SPECIFIED TOLERANCES:
x ± 0.5 xx ± 0.25
xxx ± 0.1 ANGLE ± 1'

P/N: HDMIAC-P3CRJ

DR. Patty
CH. ERIC

DWG.NO: HDMIAC-P3CRJ

AP.

REV. C1 SHEET 1/1