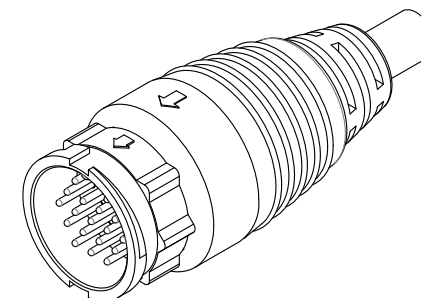
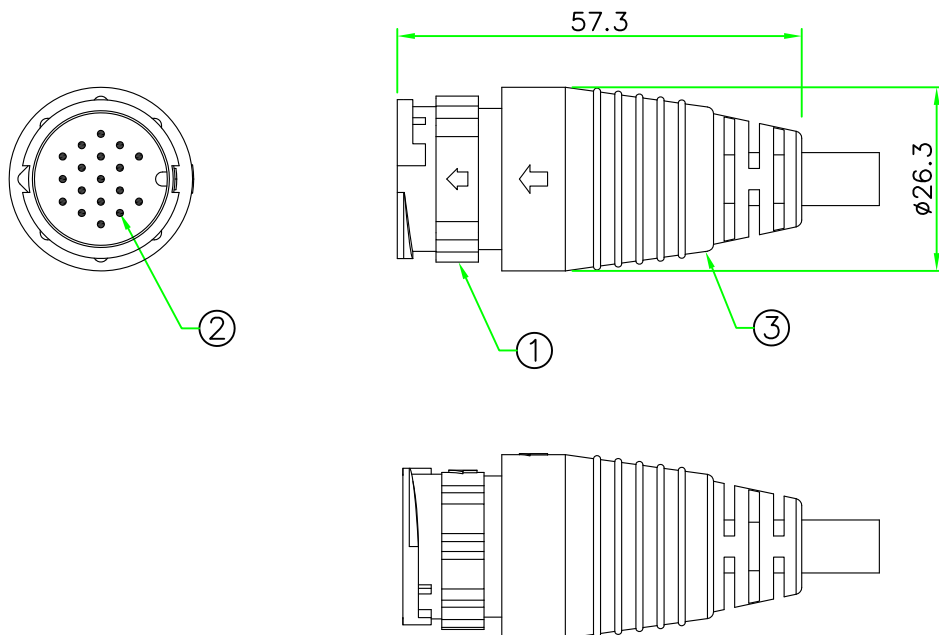


RoHS
IP66~68

REV.	DESCRIPTION	DATE
A	ISSUE	Jun/25/2015

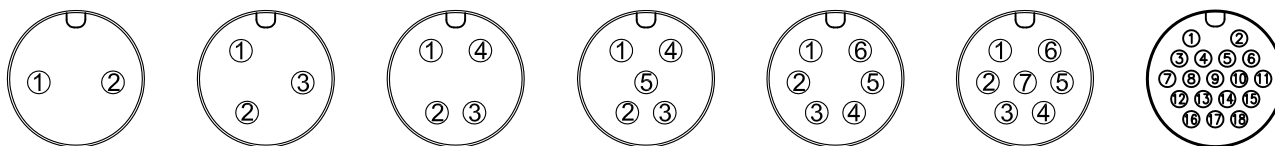
Ref.



NOTES:

- ELECTRICAL CHARACTERISTICS:
CURRENT RATING: 5A / 20A
CONNECTOR TEMPERATURE RANGE: -20°C TO +80°C
DIELECTRIC WITHSTANDING VOLTAGE:
500V AC FOR ONE MINUTE
- HOW TO ORDER: CDx-L1xxSM

- 02 - 2 PIN 18 - 18 PIN
- 03 - 3 PIN
- 04 - 4 PIN
- 05 - 5 PIN
- 06 - 6 PIN
- 07 - 7 PIN
- G - CURRENT RATING 20A
- D - CURRENT RATING 5A



CDG-L102SM CDG-L103SM CDG-L104SM CDG-L105SM CDG-L106SM CDG-L107SM CDD-L118SM

PIN ASSIGNMENT FRONT VIEW (前視圖)

3	OVERMOLD	PVC or PU.	BLACK	1	
2	CONTACT	BRASS , 6 u" Gold Plated .Male Contact.		N	
1	CONNECTOR	D Size Male Connector Insert.NYLON+GF.	BLACK	1	
No.	PART NAME	DESCRIPTION	COLOR	Q'TY	REMARKS

HOLIN® HTP ASIA TECHNOLOGY CO., LTD.
禾凌科技股份有限公司

	UNIT: mm	TITLE :	Circular D Size Lock Type Male Connector Male Pin Molded Cable
SCALE	1:1	P/N:	CDx-L1xxSM
UNLESS OTHERWISE SPECIFIED TOLERANCES: .x ± 0.5 .xx ± 0.25 .xxx ± 0.1 ANGLE ± 1'		DWG.NO:	CDx-L1xxSM
REV. A	SHEET 1/1	DR. Patty	CH. ERIC
		AP.	