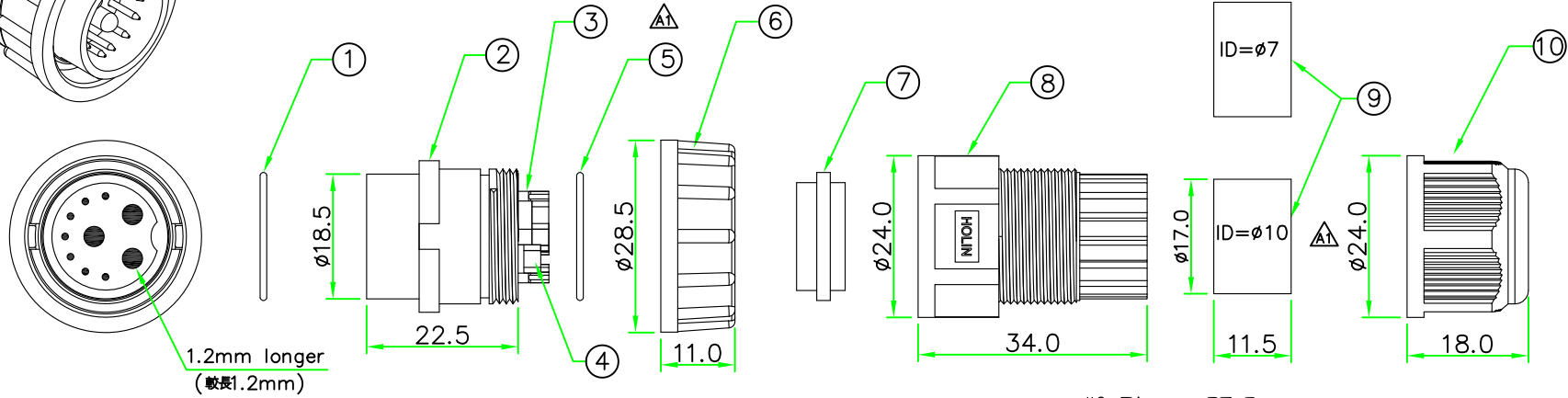
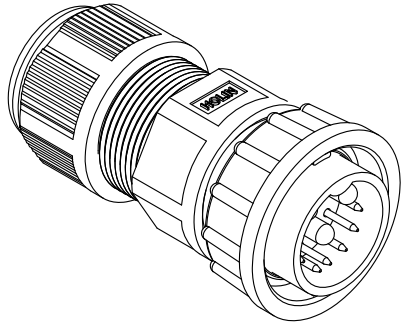
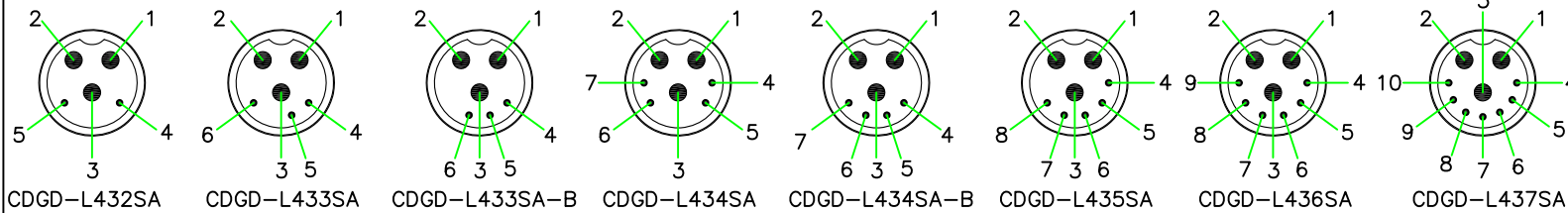


RoHS

REV.	DESCRIPTION	DATE
A	ISSUE	Nov/18/2011
A1	Change O-Ring & tube size.	May/22/2014

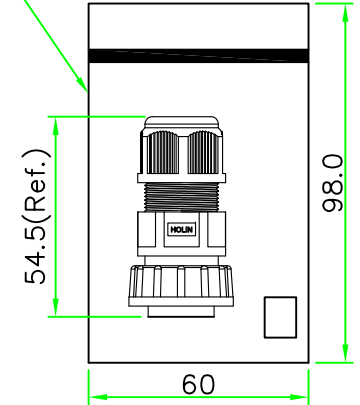


#2 Zipper PE Bag.



Pin Assignment Front View

(前視圖)



10	CLAMP NUT	NYLON+GF.	BLACK	1	
9	TUBE	Rubber (ID= 7.0 & 10.0mm)	BLACK	2	
8	HOOD	NYLON.	BLACK	1	
7	GASKET	Rubber	BLACK	1	
6	LOCK NUT	NYLON+GF.	BLACK	1	
5	O-RING	NBR.	BLACK	1	
4	CONTACT	Brass ,Male Pin. 6u"Gold Plated.		3	
3	CONTACT	Brass ,Male Pin. 6u"Gold Plated.		N	
2	CONNECTOR	CDGD Female Connector Insert, NYLON+GF.	BLACK	1	
1	O-RING	EPDM	BLACK	1	
No.	PART NAME	DESCRIPTION	COLOR	Q'TY	REMARKS

HOLIN® HTP ASIA TECHNOLOGY CO., LTD.
禾凌科技股份有限公司

	UNIT: mm	TITLE :	Circular D Size Lock Type Female connector Male Pin Field Installable Plug
SCALE	1:1	P/N:	CDGD-L43xSA(-B)
UNLESS OTHERWISE SPECIFIED TOLERANCES: x ±0.25 xx ±0.1 xxx ±0.05 ANGLE ±.1°x		DWG.NO:	CDGD-L43xSA(-B)
REV. A1	SHEET 1/1	DR.	Patty
		CH.	ERIC
		AP.	