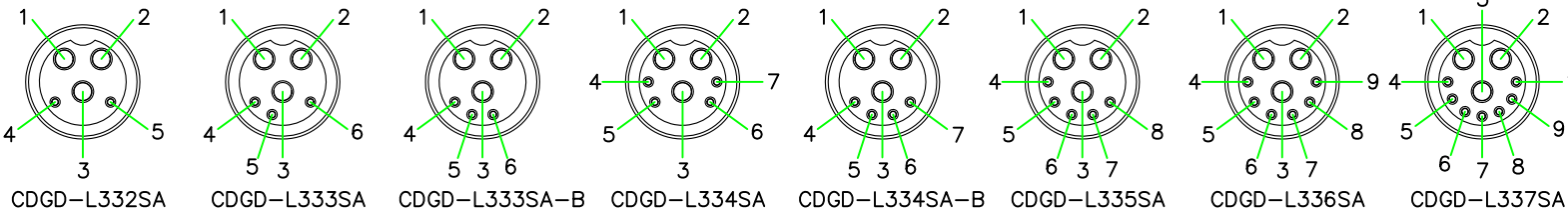
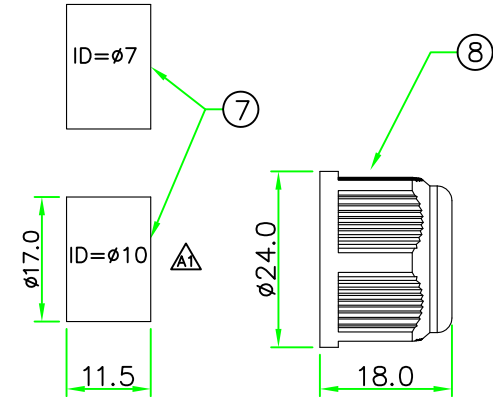
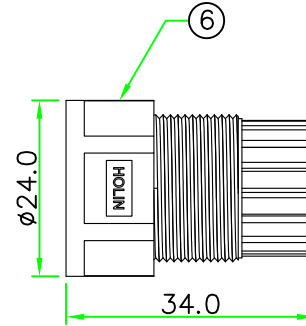
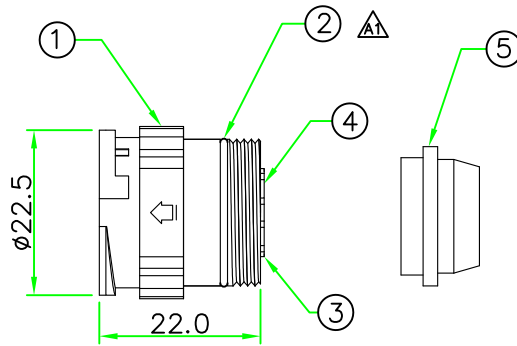
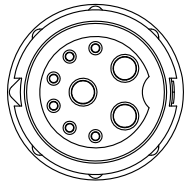
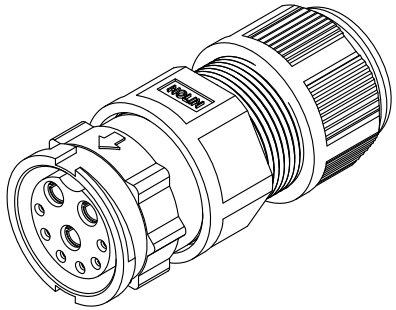


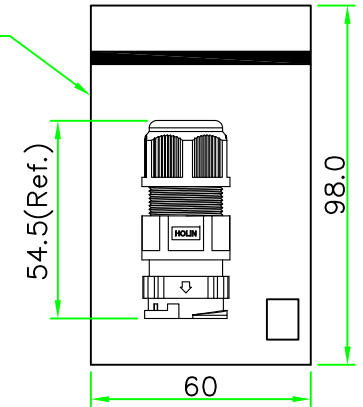
RoHS

REV.	DESCRIPTION	DATE
A	ISSUE	Jun/22/2011
A1	Change O-Ring & tube size.	May/22/2014



Pin Assignment Front View  
(前視圖)

#2 Zipper PE Bag.



8	CLAMP NUT	NYLON+GF.	BLACK	1	
7	TUBE	Rubber ( ID= 7.0 & 10.0mm)	BLACK	2	
6	HOOD	NYLON.	BLACK	1	
5	GASKET	Rubber	BLACK	1	
4	CONTACT	Brass ,Female Pin. 6u"Gold Plated.		3	
3	CONTACT	Brass ,Female Pin. 6u"Gold Plated.		N	
2	O-RING	NBR.	BLACK	1	
1	CONNECTOR	CDGD Male Connector Insert, NYLON+GF.	BLACK	1	
No.	PART NAME	DESCRIPTION	COLOR	Q'TY	REMARKS

**HOLIN**® HTP ASIA TECHNOLOGY CO., LTD.  
禾凌科技股份有限公司

	UNIT: mm	TITLE :	Circular D Size Lock Type Male Connector Female Pin Field Installable Plug
SCALE	1:1	P/N:	CDGD-L33xSA(-B)
UNLESS OTHERWISE SPECIFIED TOLERANCES: x ±0.25 xx ±0.1 xxx ±0.05 ANGLE ±1°X		DWG.NO:	CDGD-L33xSA(-B)
REV.	A1	SHEET	1/1
		DR.	Patty
		CH.	ERIC
		AP.	