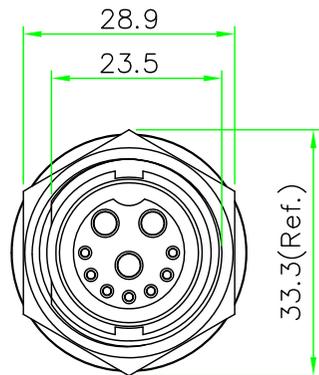
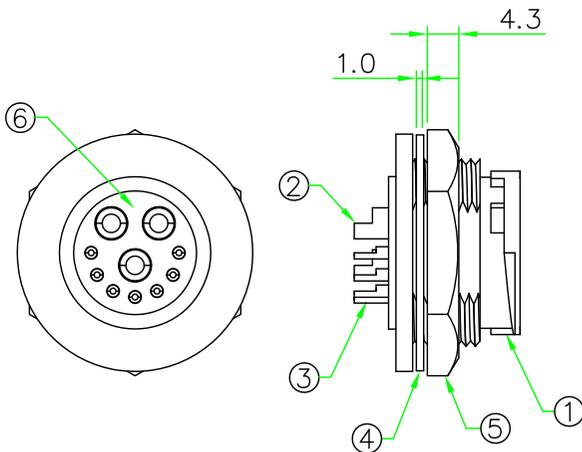
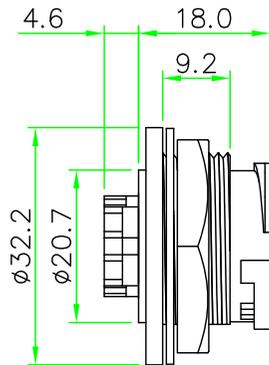


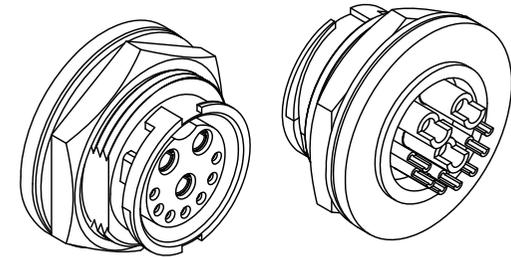
RECOMMENDED  
PANEL CUT OUT

RoHS

IP66~68



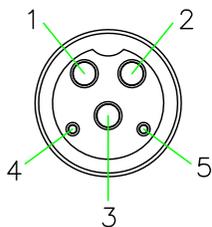
REV.	DESCRIPTION	DATE
A	ISSUE	May/05/2015



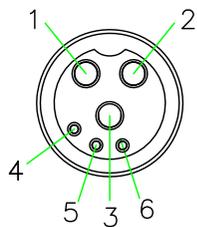
NOTES:

- ELECTRICAL CHARACTERISTICS:  
CURRENT RATING: 20A + 5A  
CONNECTOR TEMPERATURE RANGE: -25°C TO +85°C  
DIELECTRIC WITHSTANDING VOLTAGE:  
500V AC FOR ONE MINUTE
- PANEL THICKNESS MAX. 3.5 mm
- HOW TO ORDER: CDGD-L33xCSR(-B)

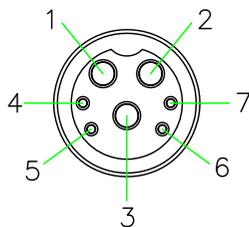
- 2 - 2 PIN 5 - 5 PIN
- 3 - 3 PIN 6 - 6 PIN
- 4 - 4 PIN 7 - 7 PIN



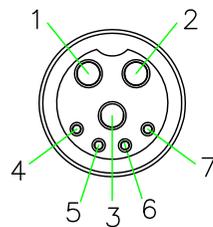
CDGD-L332CSR



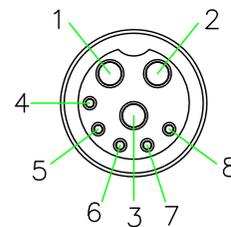
CDGD-L333CSR



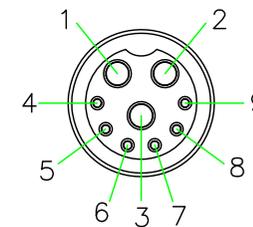
CDGD-L334CSR



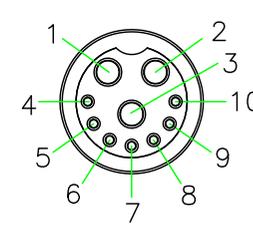
CDGD-L334CSR-B



CDGD-L335CSR



CDGD-L336CSR



CDGD-L337CSR

PIN ASSIGNMENT FRONT VIEW

(前視圖)

6	GLUE	EPOXY.	BLACK		
5	HEX NUT	Nylon + GF.	BLACK	1	
4	GASKET	EPDM.	BLACK	1	
3	CONTACT	Brass , 6 u" Gold Plated . Female Contact.		N	
2	CONTACT	Brass , 6 u" Gold Plated . Female Contact.		3	
1	CONNECTOR	D Size Male Connector Insert.NYLON+GF.	BLACK	1	
No.	PART NAME	DESCRIPTION	COLOR	Q'TY	REMARKS

HOLIN <sup>®</sup> HTP ASIA TECHNOLOGY CO., LTD.		禾凌科技股份有限公司	
		UNIT: mm	TITLE : Circular D Size Male Connector Female Pin Rear Mount Lock Type Round Flange Solder Bucket Pin
SCALE	1:1	P/N:	CDGD-L33xCSR(-B)
UNLESS OTHERWISE SPECIFIED TOLERANCES: .X ± 0.25 .XX ± 0.1 .XXX ± 0.05 ANGLE ± 1° REV. SHEET		DWG.NO:	CDGD-L33xCSR(-B)
A	1/1	DR.	Patty
		CH.	ERIC
		AP.	