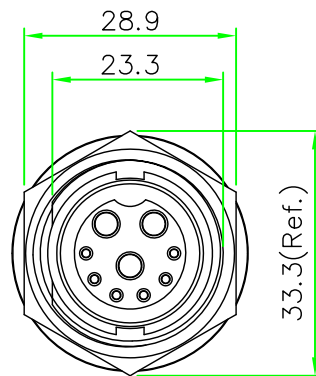
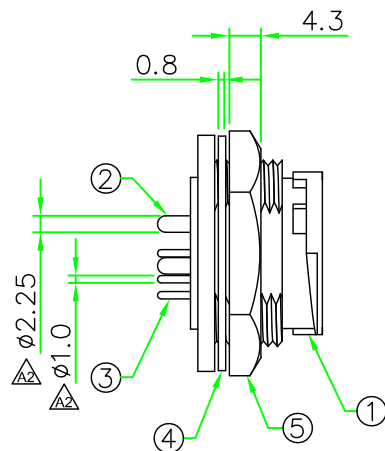
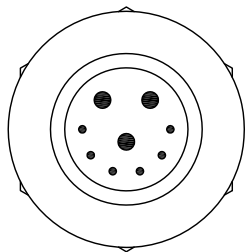
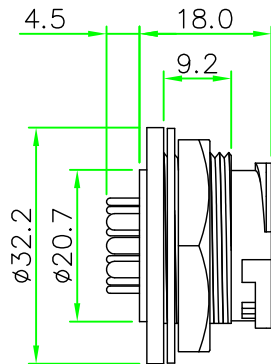
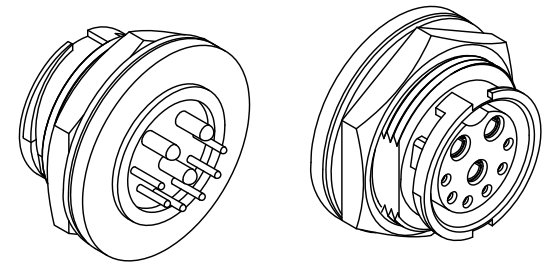


RECOMMENDED
PANEL CUT OUT

RoHS
IP66~68



REV.	DESCRIPTION	DATE
A	ISSUE	Jul/24/2014
A1	Cancel P/N NO. CDGD-L333CPR-B & Change CDGD-L333CPR PIN ASSIGNMENT	Aug/01/2014
A2	Add PCB Pin dia..	Aug/06/2014



NOTES:

1. ELECTRICAL CHARACTERISTICS:

CURRENT RATING: 20A + 5A

CONNECTOR TEMPERATURE RANGE: -40°C TO +105°C

DIELECTRIC WITHSTANDING VOLTAGE:

500V AC FOR ONE MINUTE

2. HOW TO ORDER: CDGD-L33xCPR(-B)

- 2 - 2 PIN 5 - 5 PIN
- 3 - 3 PIN 6 - 6 PIN
- 4 - 4 PIN

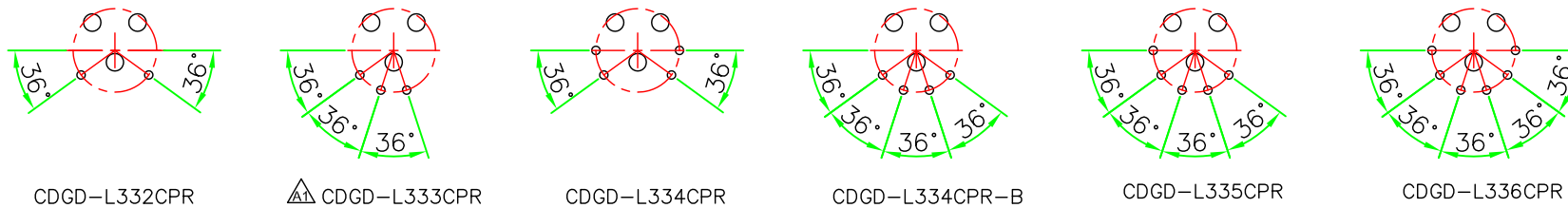
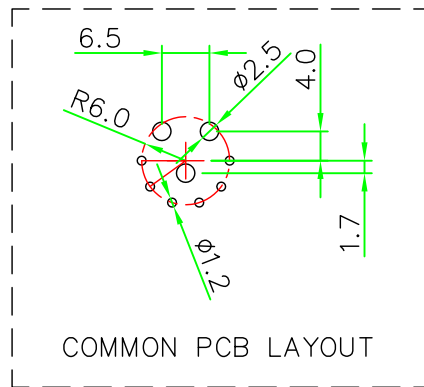
PIN ASSIGNMENT AND PCB LAYOUT SEE NEXT PAGE

HOLIN® HTP ASIA TECHNOLOGY CO., LTD.
禾凌科技股份有限公司

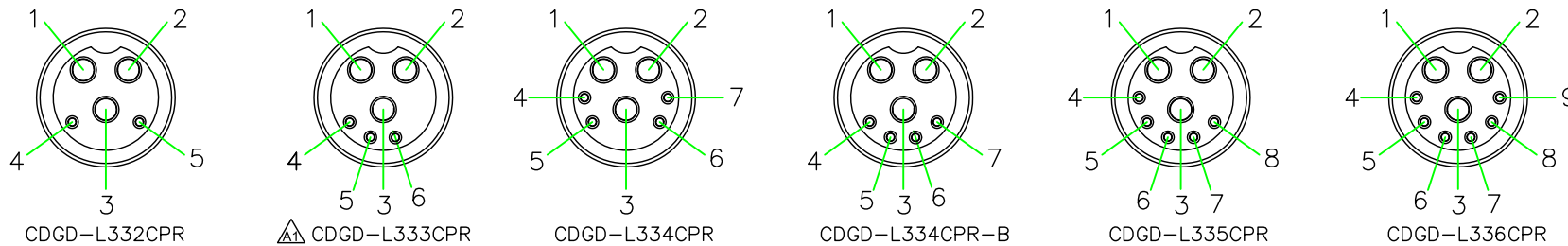
5	HEX NUT	Nylon + GF.	BLACK	1	
4	GASKET	EPDM.	BLACK	1	
3	CONTACT	Brass , 6 u" Gold Plated . Male Contact.		N	
2	CONTACT	Brass , 6 u" Gold Plated . Male Contact.		3	
1	CONNECTOR	D Size Male Connector Insert.NYLON+GF.	BLACK	1	
No.	PART NAME	DESCRIPTION	COLOR	Q'TY	REMARKS

	UNIT: mm	TITLE : Circular D Size Male Connector Female Pin Lock Type Round Flange Rear Panel Mount PCB Pin	
SCALE	1:1	P/N:	CDGD-L33xCPR(-B)
UNLESS OTHERWISE SPECIFIED TOLERANCES: .x ± 0.25 .xx ± 0.1 .xxx ± 0.05 ANGLE ± 1°		DR.	Patty
REV.	SHEET	CH.	ERIC
A2	1/2	AP.	
DWG.NO:		CDGD-L33xCPR(-B)	

REV.	DESCRIPTION	DATE
A	ISSUE	Jul/25/2014
A1	Cancel P/N NO. CDGD-L333CPR-B & Change CDGD-L333CPR PIN ASSIGNMENT	Aug/01/2014
A2	Add PCB Pin dia..	Aug/06/2014



PCB LAYOUT



PIN ASSIGNMENT FRONT VIEW
(前視圖)

HOLIN[®] HTP ASIA TECHNOLOGY CO., LTD. 禾凌科技股份有限公司			
	UNIT: mm	TITLE : Circular D Size Male Connector Female Pin Lock Type Round Flange Rear Panel Mount PCB Pin	
SCALE	1:1	P/N: CDGD-L33xCPR(-B)	DR. Patty
UNLESS OTHERWISE SPECIFIED TOLERANCES: .X ± 0.25 .XX ± 0.1 .XXX ± 0.05 ANGLE ± 1°			CH. ERIC
REV. A2	SHEET 2/2	DWG.NO: CDGD-L33xCPR(-B)	AP.