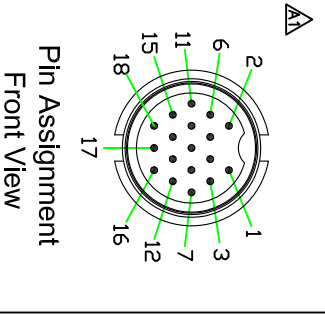
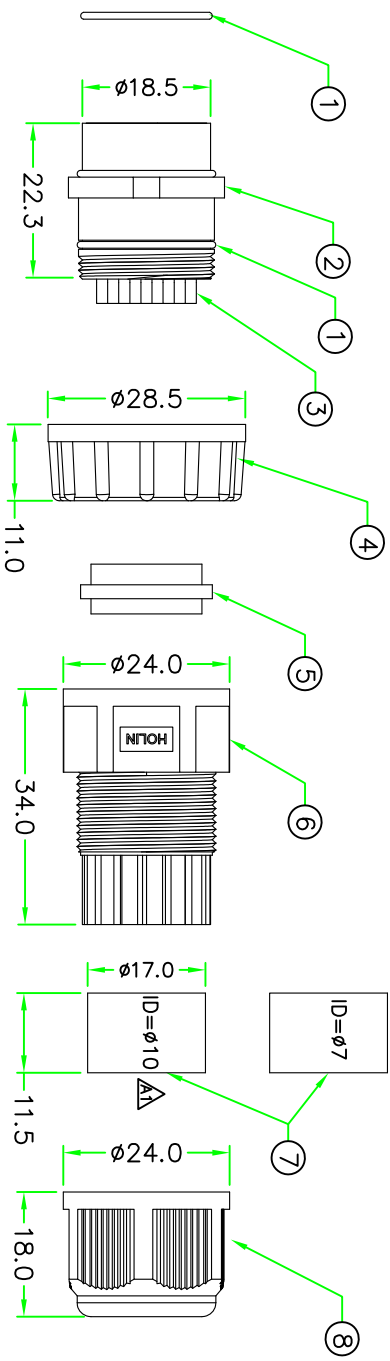
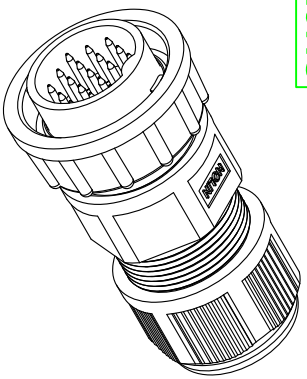
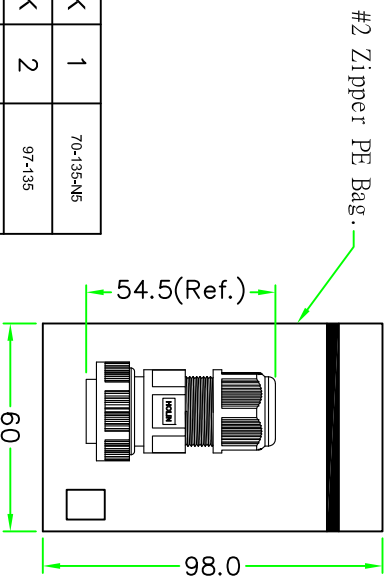


RoHS



8	CLAMP NUT	NYLON.	BLACK	1	70-135AN5	
7	SEAL	SANTOPRENE (ID=7.0 & 10.0mm)	BLACK	2	97-135	
6	HOOD	NYLON.	BLACK	1	69-135-N3	
5	GASKET	SANTOPRENE.	BLACK	1	97-135	
4	LOCK NUT	NYLON+GF.	BLACK	1	88-135-N1	
3	CONTACT	BRASS , MALE PIN. 6u" GOLD PLATED.		18	CE0-M1.0SPRL25	
2	CONNECTOR	CDD 18FM CONNECTOR INSERT, NYLON+GF.	BLACK	1	CDD-18FMCA (45-135-N10)	
1	O-RING	EPDM	BLACK	2	CDA-O-EP70	
No.	PART NAME		DESCRIPTION	COLOR	Q'TY	REMARKS



REV.	DESCRIPTION	DATE
A	ISSUE	Aug/10/2010
A1	Correct pin assignment.	Nov/30/2011

HOLIN HTP ASIA TECHNOLOGY CO., LTD.
 禾凌科技 股份有限公司

TITLE : Circular D Size Lock Type
 18 Pin Female Connector Male Pin
 Field Installable Plug

SCALE 1:1
 UNIT: mm
 UNLESS OTHERWISE SPECIFIED TOLERANCES:
 X ±0.25 XX ± 0.1
 XXX ± 0.05 ANGLE ± 1dx
 P/N: CDD-L418SA
 DR. Michael
 CH. E.RJC
 DWG.NO: CDD-L418SA
 AP.