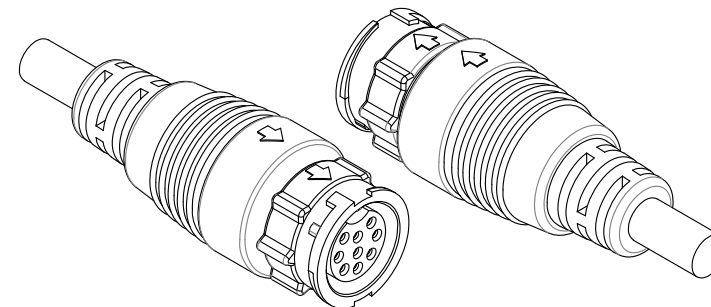
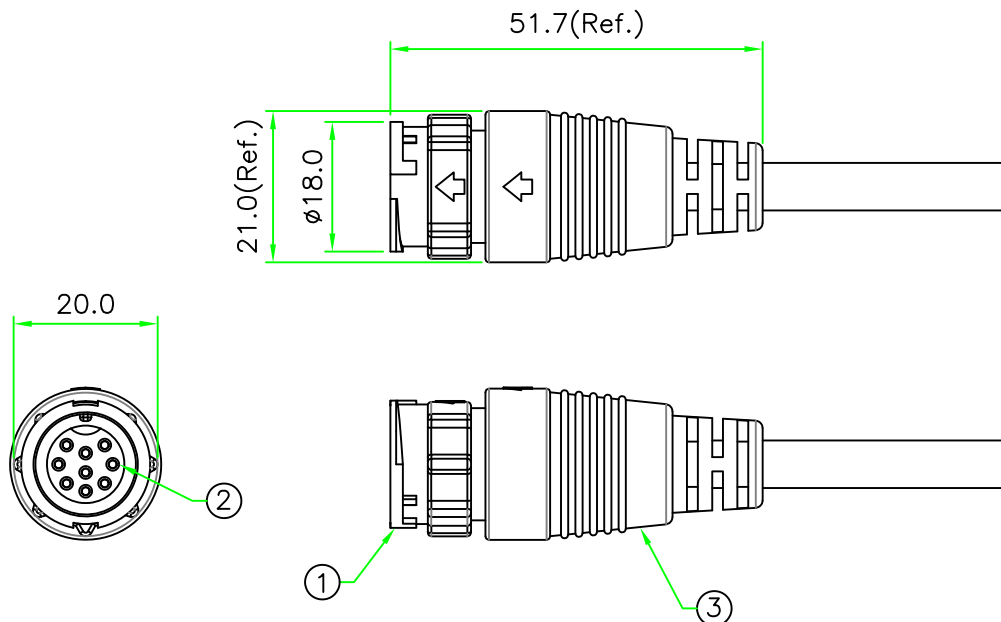


RoHS

IP66

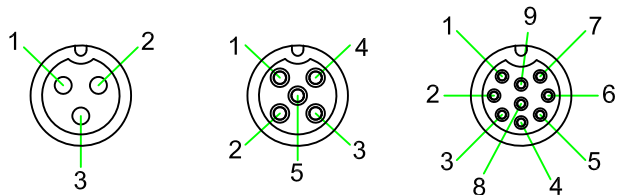
REV	DESCRIPTION	DATE
A	ISSUE	Nov/07/2019



NOTES:

- ELECTRICAL CHARACTERISTICS:
 CURRENT RATING: 5A / 10A / 20A
 CONNECTOR TEMPERATURE RANGE: -20°C TO +80°C
 DIELECTRIC WITHSTANDING VOLTAGE:
 500V AC FOR ONE MINUTE
- HOW TO ORDER: CCx-L3xxSM

- 03 - 3 PIN
- 05 - 5 PIN
- 09 - 9 PIN
- G - CURRENT RATING 20A
- P - CURRENT RATING 10A
- D - CURRENT RATING 5A



CCG-L303SM CCP-L305SM CCD-L309SM

PIN ASSIGNMENT FRONT VIEW
(前視圖)

*Cable specification and length can be customized.

3	OVERMOLD	PVC or PU.	BLACK	1	
2	CONTACT	Brass, 6 u" Gold Plated. Female Contact.		N	
1	CONNECTOR	C Size Male Connector Insert. Nylon+GF.	BLACK	1	
No.	PART NAME	DESCRIPTION	COLOR	Q'TY	REMARKS

HOLIN [®] HTP ASIA TECHNOLOGY CO., LTD. 禾凌科技股份有限公司					
		UNIT: mm	TITLE : Circular C Size Lock Type Male Connector Female Pin Molded Cable		
SCALE	1:1	P/N: CCx-L3xxSM		DR.	SIBYL
UNLESS OTHERWISE SPECIFIED TOLERANCES: .X ± 0.5 .XX ± 0.25 .XXX ± 0.1 ANGLE ± 1°		REV. A		CH.	JAMES
SHEET 1/1		DWG.NO: CCx-L3xxSM		AP.	