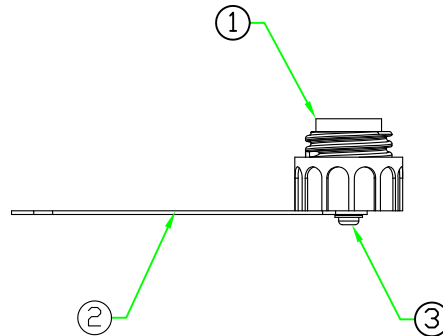
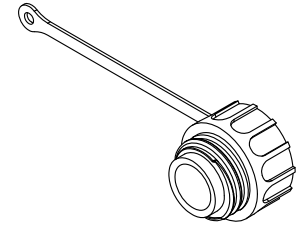
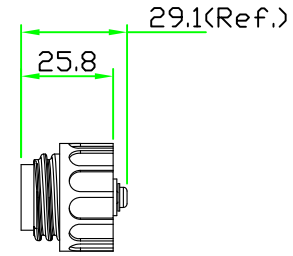
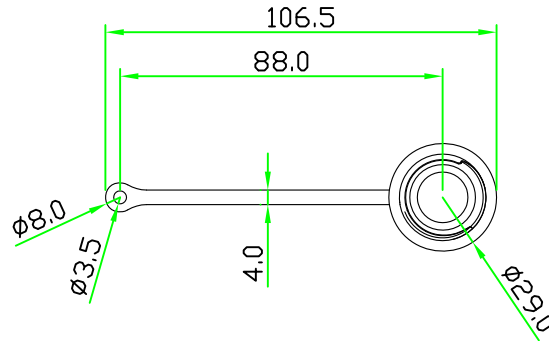
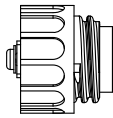
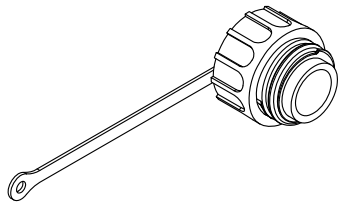


RoHS

REV.	DESCRIPTION	DATE
A	ISSUE	Jun/25/2014



OLD P/N:CPA-F-WCAPC
(原型號)

No.	PART NAME	DESCRIPTION	COLOR	Q'TY	REMARKS
3	SCREW	M3 x 6mm Self-tap Screw.		1	
2	CHAIN	PU or TPE.	BLACK	1	
1	CAP	Waterproof Cap For Female, NYLON+GF.	BLACK	1	

HOLIN® HTP ASIA TECHNOLOGY CO., LTD.
禾凌科技股份有限公司

UNIT: mm	TITLE
SCALE: 1:2	Waterproof Cap For CPP Female Connector
UNLESS OTHERWISE SPECIFIED TOLERANCES: .x ± 0.25 .xx ± 0.1 .xxx ± 0.05 ANGLE ± 1°X	P/N: CPP-WCAP-FC
REV. A	DWG.NO: CPP-WCAP-FC
SHEET 1/1	DR. Patty CH. ERIC AP.