

RoHS

IP66~68

REV.	DESCRIPTION	DATE
A	ISSUE	Apr/19/2013
B	Change design.	Jul/30/2013
B1	Change part number.	Aug/25/2013
B2	Add Suitable Cable BOM & Change P/N	Sep/10/2014
B3	Remove ferrule from RG58 type.	Mar/17/2017

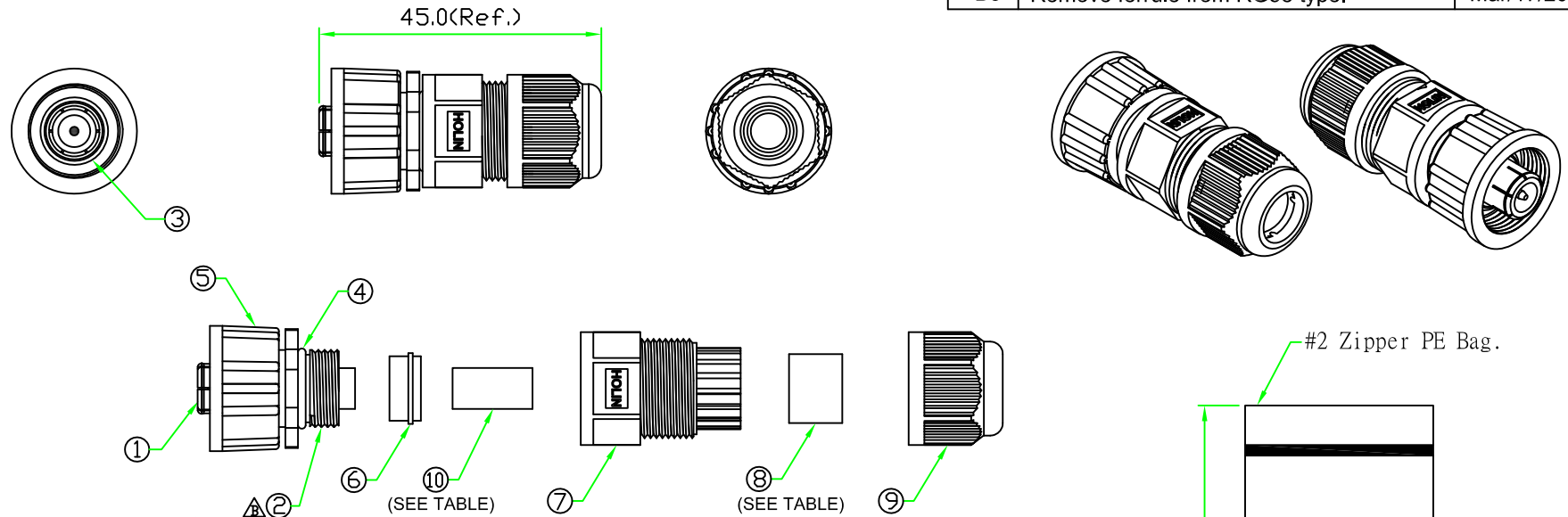


TABLE:

4	BNCB-P4SA-04	RG-59		φ8
3	BNCB-P4SA-03	RG-58		φ5
2	BNCB-P4SA-02	RG-174		φ5
1	BNCB-P4SA-01	5C-FB	●	φ8
No.	PART NUMBER	Suitable Cable	⑩	ID ⑧

OLD P/N: BNCB-P4SA-01
(原型号)

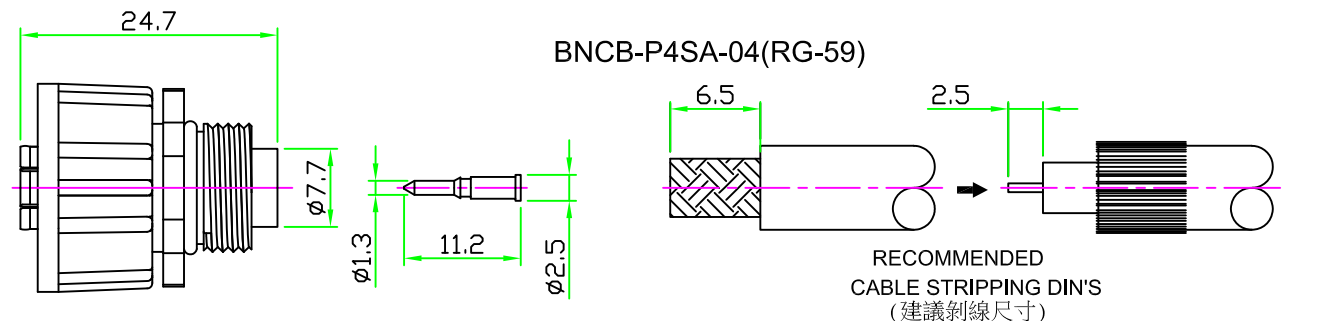
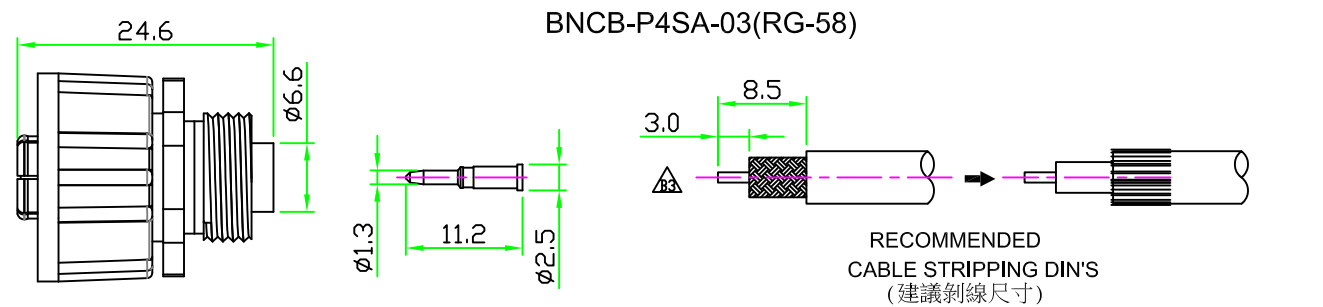
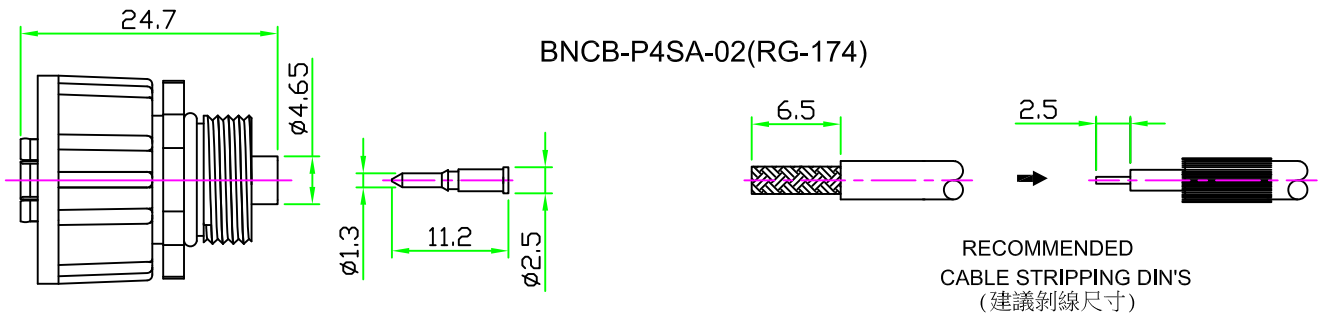
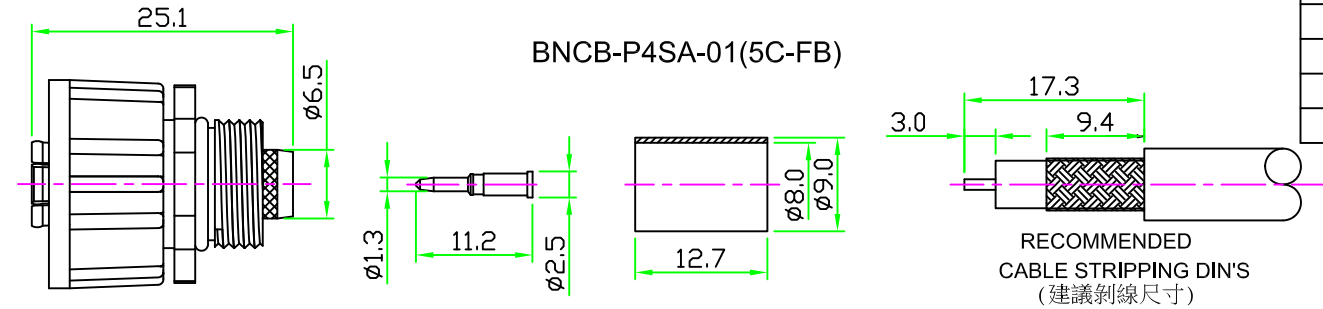
10	FERRULE	Brass, Nickel Plated.		1	
9	CLAMP NUT	NYLON.		BLACK	1
8	TUBE	RUBBER. (Suitable for cable ID=5 or 8mm.)	⚠	BLACK	1
7	HOOD	NYLON.		BLACK	1
6	GASKET	RUBBER.		BLACK	1
5	SCREW NUT	NYLON+GF.		BLACK	1
4	O-RING	NBR.		BLACK	1
3	O-RING	VITON.		BLACK	1
2	CONNECTOR	Connector Insert. NYLON+GF.		BLACK	1
1	PLUG	BNC Male Connector. CRIMP TYPE.			1
No.	PART NAME	DESCRIPTION		COLOR	Q'TY
					REMARKS

HOLIN® HTP ASIA TECHNOLOGY CO., LTD.
禾凌科技股份有限公司

UNIT: mm	TITLE : Circular B Size BNC Male Crimp Type Screw Type Field Installable Connector For Coaxial Cable
SCALE 1:1	
UNLESS OTHERWISE SPECIFIED TOLERANCES: .x ± 0.25 .xx ± 0.1 .xxx ± 0.05 ANGLE ± 1°	P/N: BNCB-P4SA-xx
REV. B3	DWG.NO: CBNCB-P4SA-xx
SHEET 1/2	DR. JACK CH. ERIC AP.

RoHS

REV.	DESCRIPTION	DATE
A	ISSUE	Apr/19/2013
B	Change design.	Jul/30/2013
B1	Change part number.	Aug/25/2013
B2	Add Suitable Cable BOM & Change P/N	Sep/10/2014
B3	Remove ferrule from RG58 type.	Mar/17/2017



HOLIN® HTP ASIA TECHNOLOGY CO., LTD. 禾凌科技股份有限公司		
UNIT: mm	TITLE : Circular B Size BNC Male Crimp Type Screw Type Field Installable Connector For Coaxial Cable	
SCALE 1.5:1	P/N: BNCB-P4SA-xx	DR. JACK
UNLESS OTHERWISE SPECIFIED TOLERANCES: .X ± 0.25 .XX ± 0.1 .XXX ± 0.05 ANGLE ± 1°	DWG.NO: CBNCB-P4SA-xx	CH. ERIC
REV. B3	SHEET 2/2	AP.