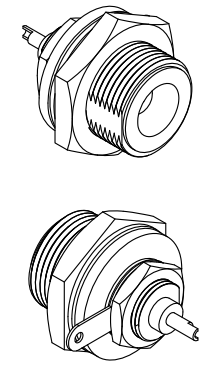
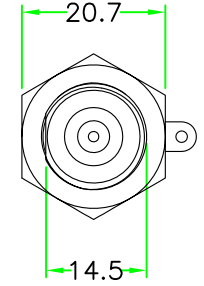
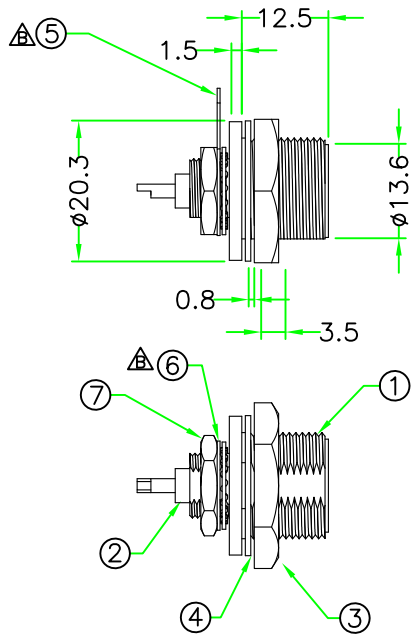
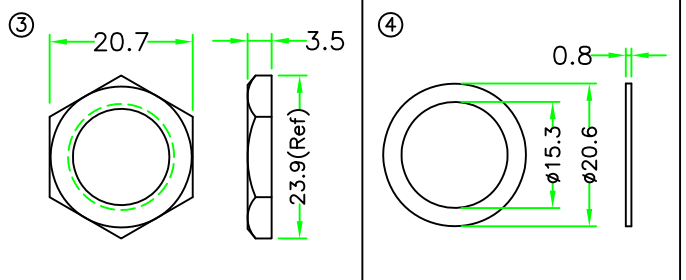


RECOMMENDED
PANEL CUT-OFF



RoHS



7	HEX NUT	STEEL. NICKEL PLATED.		1	
6	WASHER	STEEL. NICKEL PLATED.		1	
5	GROUND TAG	STEEL. NICKEL PLATED.		1	
4	GASKET	EPDM.	BLACK	1	CBA-G
3	HEX NUT	NYLON+GF.	BLACK	1	CBA-HNUT (42-135)
2	BNC	BNC JACK.		1	WJ-7031
1	BNC INSERT	Panel Connector Insert, NYLON+GF.	BLACK	1	143-135-N2
No.	PART NAME	DESCRIPTION	COLOR	Q'TY	REMARKS

REV.	DESCRIPTION	DATE
A	ISSUE	Apr/19/2013
B	Add washer & nut , and change P/N.	Jul/31/2013
B1	Change part number.	Aug/25/2013

HOLIN® HTP ASIA TECHNOLOGY CO., LTD.
禾凌科技股份有限公司

	UNIT: mm	TITLE : Circular B Size BNC FEMALE PIN Screw Type Round Flange Solder Bucket Pin
SCALE	1:1	
UNLESS OTHERWISE SPECIFIED TOLERANCES: X ±0.25 XX ±0.1 XXX ±0.05 ANGLE ±1°X REV. SHEET		P/N: BNCB-P3CS DR. <i>jaek</i> CH. <i>ERTC</i> DWG.NO: BNCB-P3CS AP.
B1	1/1	