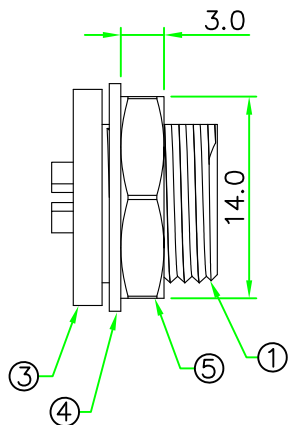
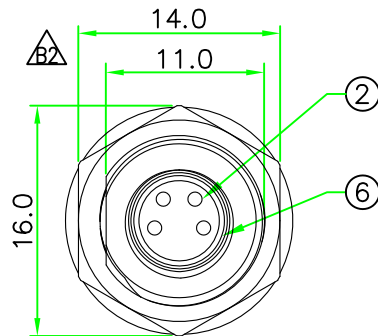
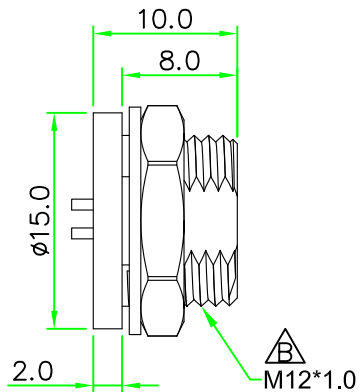


RECOMMENDED
PANEL CUT-OUT

RoHS

IP66~68



REV.	DESCRIPTION	DATE
A	ISSUE	Feb/18/2011
B	Modify the flat side.	Sep/02/2013
B1	Change P/N No.	Jul/03/2014
B2	Change diagram direction	Apr/22/2015
B3	Add 7-8 Pin & Correct Pin Assignment.	Oct/24/2018

NOTES:

1. ELECTRICAL CHARACTERISTICS:

CURRENT RATING: 1.5A / 3A

TEMPERATURE RANGE: -25°C TO +85°C

DIELECTRIC WITHSTANDING VOLTAGE:

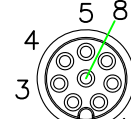
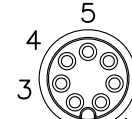
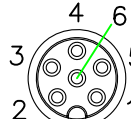
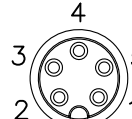
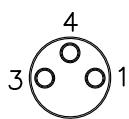
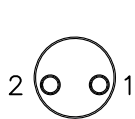
500V AC FOR ONE MINUTE

2. HOW TO ORDER: A08x-M2xxCSR-S12



02 - 2 PINS 06 - 6 PINS
03 - 3 PINS 07 - 7 PINS
04 - 4 PINS 08 - 8 PINS
05 - 5 PINS

I - CURRENT RATING 1.5A
D - CURRENT RATING 3A



A08D-M202CSR-S12 A08D-M203CSR-S12 A08D-M204CSR-S12 A08I-M205CSR-S12 A08I-M206CSR-S12 A08I-M207CSR-S12 A08I-M208CSR-S12

PIN ASSIGNMENT FRONT VIEW (前視圖)

No.	PART NAME	DESCRIPTION	COLOR	Q'TY	REMARKS
6	O-RING	Viton.	BLACK	1	
5	HEX NUT	Brass ,Nickel Plated.		1	
4	GASKET	EPDM	BLACK	1	
3	HOUSING	Brass ,Nickel Plated.		1	
2	CONTACT	Brass ,Female Pin. 6u" Gold Plated.		N	
1	CONNECTOR	M8 A-Coding Female Connector Insert, Nylon+GF.	BLACK	1	

HOLIN® HTP ASIA TECHNOLOGY CO., LTD.
禾凌科技股份有限公司

	UNIT: mm	TITLE : M8 A-Coding Female Panel Connector Rear mount Circular Flange With Solder Bucket Pin
SCALE	2:1	
UNLESS OTHERWISE SPECIFIED TOLERANCES:	P/N: A08x-M2xxCSR-S12	DR. SIBYL
.x ± 0.25 .xx ± 0.1 .xxx ± 0.05 ANGLE ± 1°		CH. ERIC
REV. B3	SHEET 1/1	DWG.NO:
		A08x-M2xxCSR-S12
		AP.