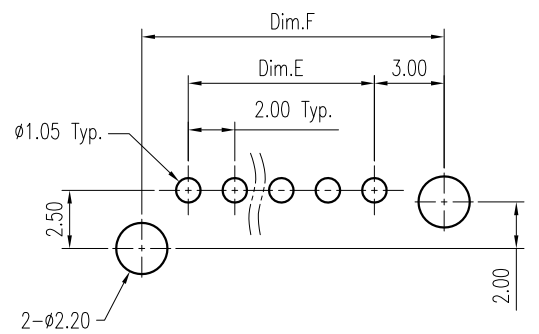
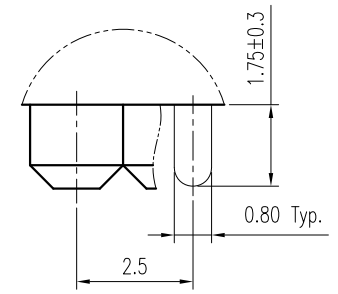
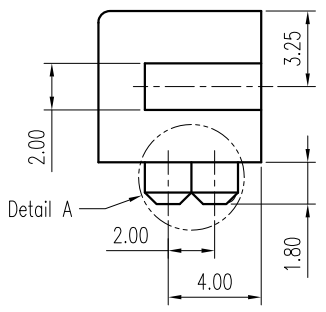


Dimension Information: \triangle_H

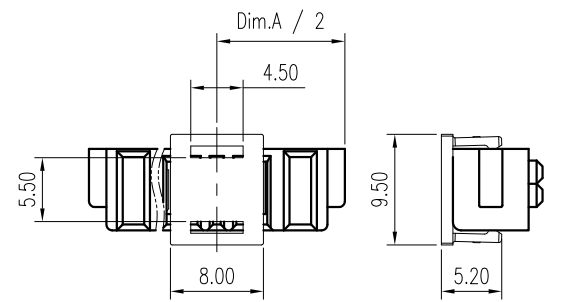
Part No.	Dim.	Amount of Pins	Dim.A	Dim.B	Dim.C	Dim.D	Dim.E	Dim.F
TSAO-06306-05XX	6	6	24.00	21.00	14.50	18.20	10.00	15.00
TSAO-06307-05XX	7	7	26.00	23.00	16.50	20.20	12.00	17.00
TSAO-06308-05XX	8	8	28.00	25.00	18.50	22.20	14.00	19.00
TSAO-06309-05XX	9	9	30.00	27.00	20.50	24.20	16.00	21.00
TSAO-06310-05XX	10	10	32.00	29.00	22.50	26.20	18.00	23.00
TSAO-063A0-05XX	11	11	34.00	31.00	24.50	28.20	20.00	25.00
TSAO-063B0-05XX	12	12	36.00	33.00	26.50	30.20	22.00	27.00



Recommended P.C.B. Layout
Layout Tolerance = ± 0.05 mm



Detail A
Scale 6:1



With Cap
Scale 1.5:1 \triangle_H

REV.	DESCRIPTION	ECN NO.	DATE	DRAWER
G	Added Plating Option	EC0704057	04/30/2007	<i>Army</i>
H	Added Packing Option \triangle_H x4	EC1009031	09/24/2010	<i>Neal</i>
I	Added Plating Option \triangle_I x2	EC1212049	12/26/2012	<i>Kelly</i>

Notes:

- Material:
Housing: Thermoplastic UL 94V-0, Black
Terminal: Copper Alloy
- Finish:
Terminal: Selected Gold on Contact Area,
G/F on Solder Tails, Both over
40u" Min. Nickel Under-plated Overall
- Order Information:

TSAO-063 XX -05 X X
T: RoHS(for High Temperature)

Amount of Pins
06: 6 Pins
7: 7
10: 10 Pins
A0: 11 Pins
B0: 12 Pins

\triangle_H Packing Option
T: Tube
1: Tube + Cap
2: Reel + Cap

\triangle_I Plating Option
1: 1u" Min. Gold on Contact Area
2: 2u" Min. Gold on Contact Area
3: 5u" Min. Gold on Contact Area
4: 10u" Min. Gold on Contact Area
5: 15u" Min. Gold on Contact Area
8: 30u" Min. Gold on Contact Area

DIMENSION IN mm [inch]	
Tolerance unless otherwise specified	
X.	X.* $\pm 10'$
X.X ± 0.38	X.X* $\pm 5'$
X.XX ± 0.25	X.XX* $\pm 2'$
X.XXX ± 0.13	X.XXX* \pm

CEN 欣訊科技股份有限公司
CEN LINK CO., LTD.
CUSTOMER DRAWING

Title 2.0 mm Battery Conn. Female Type
Dwg No. TSAO-063XX-05XX \triangle_H
File No. P02015

Approver: _____ Checker: _____ Drawer: *Kelly*
12/26/2012

Scale: 3 : 1
Size: A 4
Rev : I
Sheet: 1 / 1