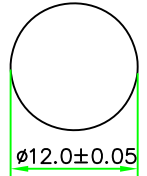
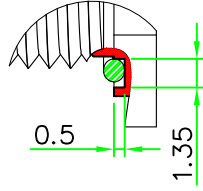


REV.	DESCRIPTION	DATE
A	ISSUE	Aug/27/2019

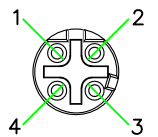
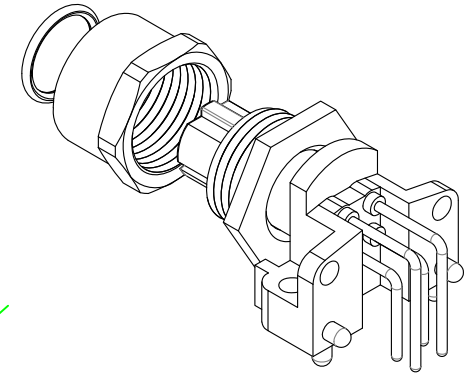
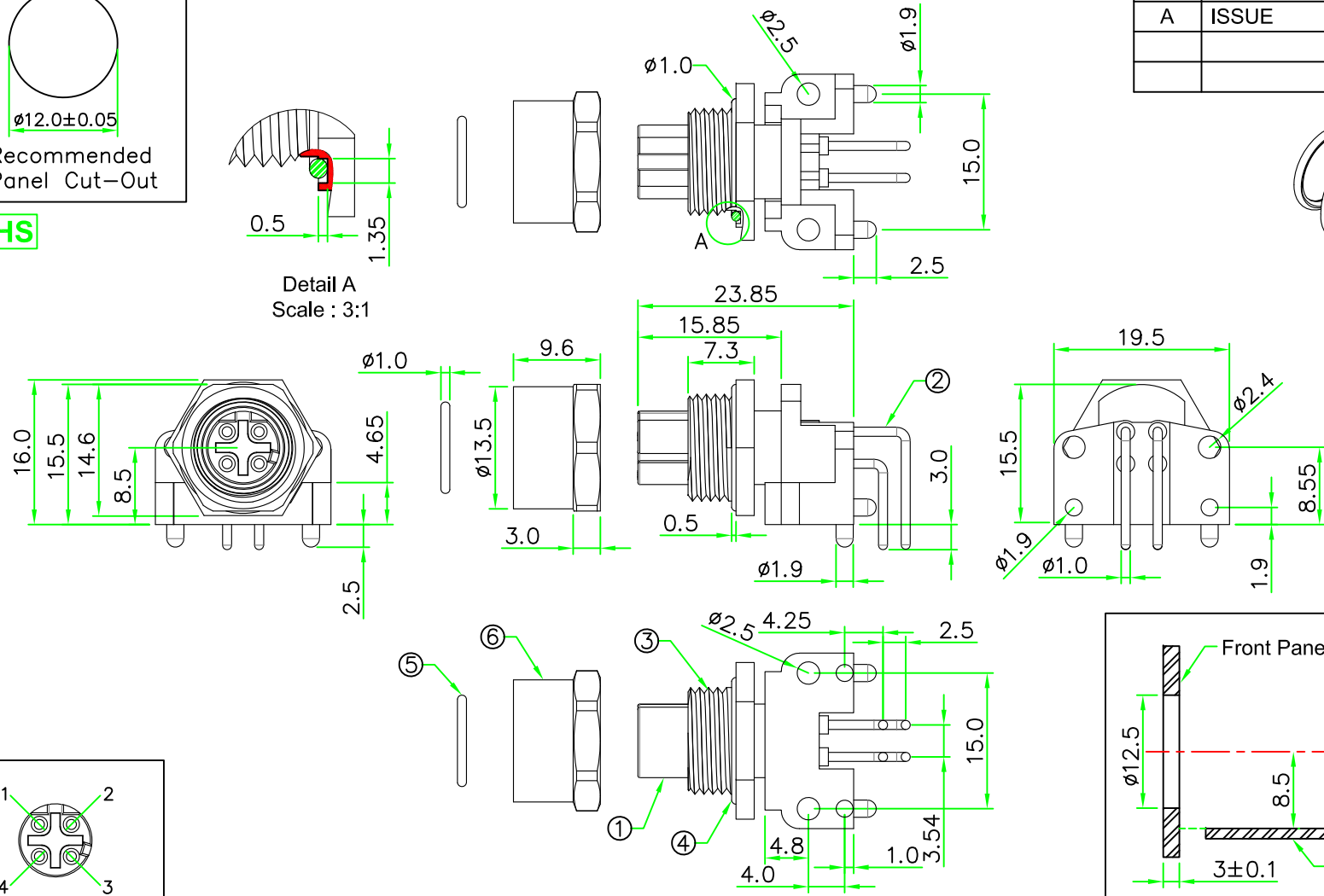


Recommended Panel Cut-Out

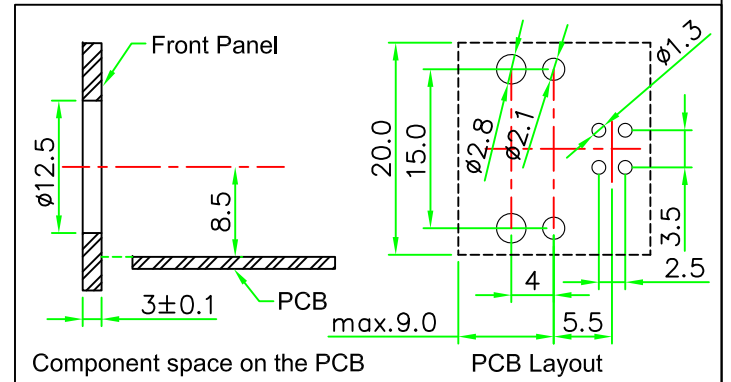
RoHS



Detail A
Scale : 3:1



PIN ASSIGNMENT FRONT VIEW
(前視圖)



Component space on the PCB PCB Layout

No.	PART NAME	DESCRIPTION	COLOR	Q'TY	REMARKS
6	RING NUT	BRASS. Nickel Plated. M12 Female Thread.		1	
5	O-RING	VITON.	BLACK	1	
4	O-RING	VITON.	BLACK	1	
3	RING NUT	BRASS. Nickel Plated.M12 Male Thread.		1	
2	CONTACT	BRASS. 6u" Gold Plated. Female R/A Contact.		4	
1	CONNECTOR	M12 D-Coding 4P Female R/A Connector Insert, NYLON+GF.	BLACK	1	

HOLIN[®] HTP ASIA TECHNOLOGY CO., LTD.
禾凌科技股份有限公司

	UNIT: mm	TITLE :	M12 A-Coding 4P Female R/A Connector	
SCALE	1.5:1	P/N:	D12D-M204HPAR	DR. James
UNLESS OTHERWISE SPECIFIED TOLERANCES: x ±1.0 xx ±0.5 xxx ±0.25 ANGLE ± 1'		DWG.NO:	D12D-M204HPAR	CH. ERIC
REV.	SHEET			AP.
A	1/1			