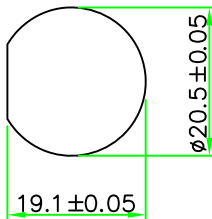


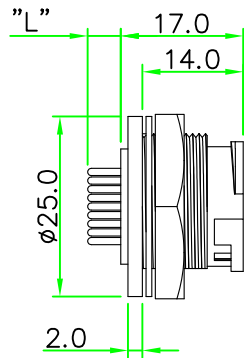
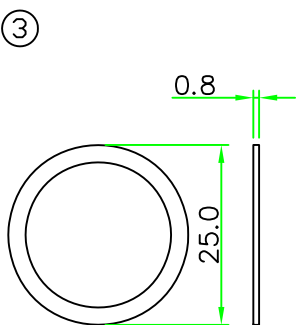
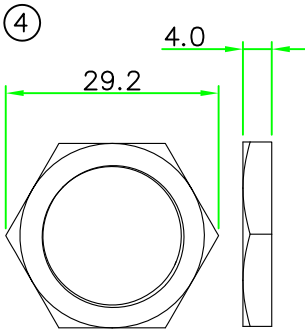
REV.	DESCRIPTION	DATE
A	Issue	Nov/09/2015
A1	Add Pin Assignment & PCB Layout	May/31/2017



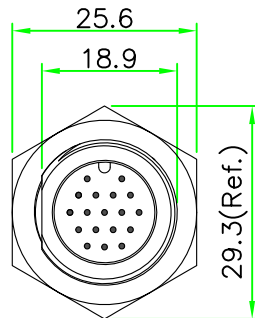
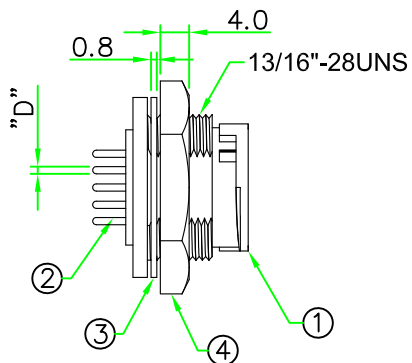
RECOMMENDED  
PANEL CUT OUT

RoHS

IP66~68



P/N No.	L	D
CCP	4.1	φ1.25 $\Delta 1$
CCD	4.7	φ1.0
CCN	4.4	φ1.0



NOTES:

- ELECTRICAL CHARACTERISTICS:  
CURRENT RATING: 2A / 5A / 10A  
CONNECTOR TEMPERATURE RANGE: -25°C TO +85°C  
DIELECTRIC WITHSTANDING VOLTAGE:  
500V AC FOR ONE MINUTE
- PANEL THICKNESS MAX. 4.0mm
- HOW TO ORDER: CCx-L1xxCPR

- 04 - 4 PIN  $\Delta 1$  10 - 10 PIN
- 05 - 5 PIN  $\Delta 1$  12 - 12 PIN
- 06 - 6 PIN  $\Delta 1$  14 - 14 PIN
- 09 - 9 PIN 18 - 18 PIN

- N - CURRENT RATING 2A
- D - CURRENT RATING 5A
- P - CURRENT RATING 10A

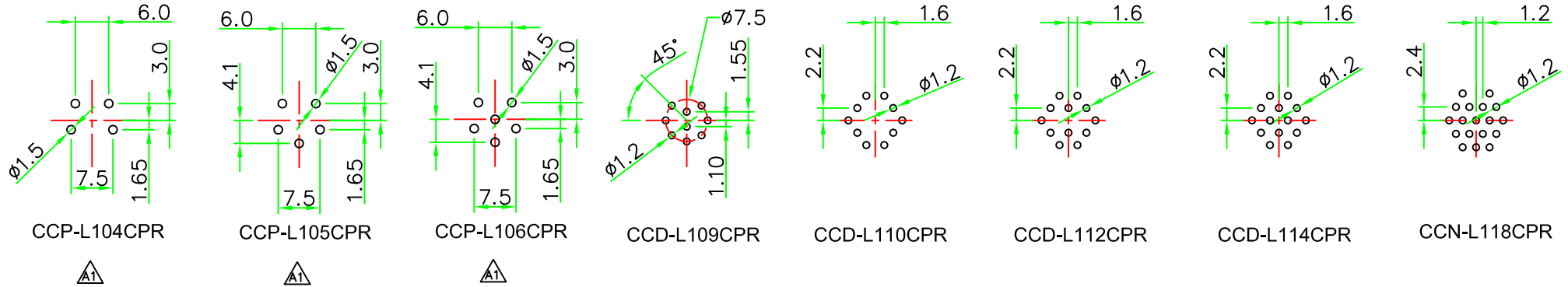
PIN ASSIGNMENT AND PCB LAYOUT SEE NEXT PAGE

**HOLIN**® HTP ASIA TECHNOLOGY CO., LTD.  
禾凌科技股份有限公司

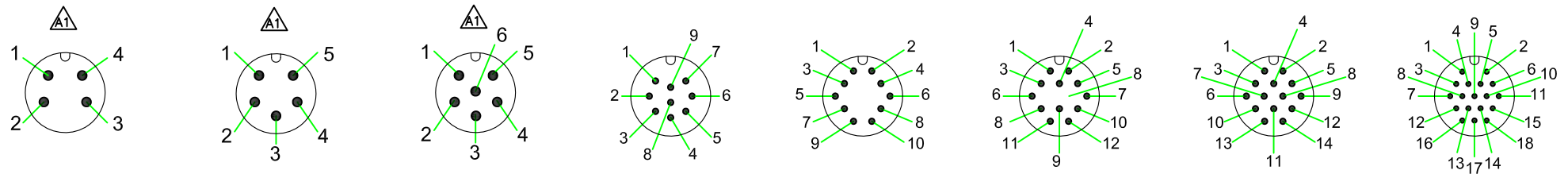
	UNIT: mm	TITLE : Circular C Size Male Connector Male Pin Rear Mount Lock Type Round Flange PCB Pin
SCALE	1:1	
UNLESS OTHERWISE SPECIFIED TOLERANCES: .x ± 0.25 .xx ± 0.1 .xxx ± 0.05 ANGLE ± 1'		P/N: CCx-L1xxCPR
REV. A1	SHEET 1/2	DWG.NO: CCx-L1xxCPR
		DR. SIBYL CH. ERIC AP.

No.	PART NAME	DESCRIPTION	COLOR	Q'TY	REMARKS
4	HEX NUT	NYLON+GF.	BLACK	1	
3	GASKET	EPDM.	BLACK	1	
2	CONTACT	Brass, 6 u" Gold Plated. Male Contact.		N	
1	CONNECTOR	C Size Male Connector Insert. Nylon+GF.	BLACK	1	

REV.	DESCRIPTION	DATE
A	Issue	Nov/09/2015
A1	Add Pin Assignment & PCB Layout	May/31/2017



PCB LAYOUT



PIN ASSIGNMENT FRONT VIEW(前視圖)

<b>HOLIN®</b> HTP ASIA TECHNOLOGY CO., LTD. 禾凌科技股份有限公司			
	UNIT: mm	TITLE : Circular C Size Male Connector Male Pin Rear Mount Lock Type Round Flange PCB Pin	
SCALE	1:1		
UNLESS OTHERWISE SPECIFIED TOLERANCES: .x ± 0.25 .xx ± 0.1 .xxx ± 0.05 ANGLE ± 1°		P/N:	CCx-L1xxCPR
REV.	SHEET	DWG.NO:	CCx-L1xxCPR
A1	2/2		DR. SIBYL CH. ERIC AP.