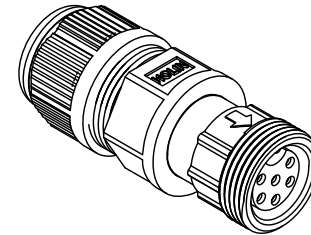
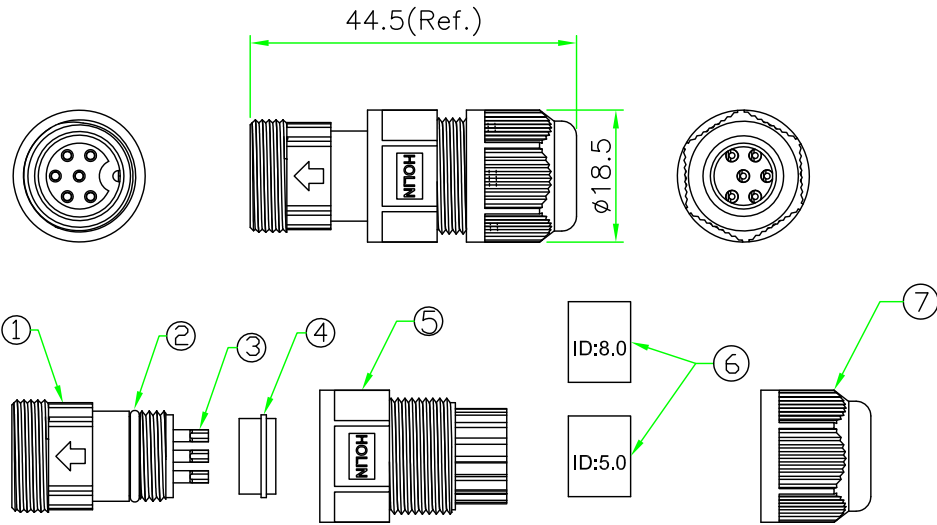


RoHS

IP66-68

REV.	DESCRIPTION	DATE
A	ISSUE	May/21/2015

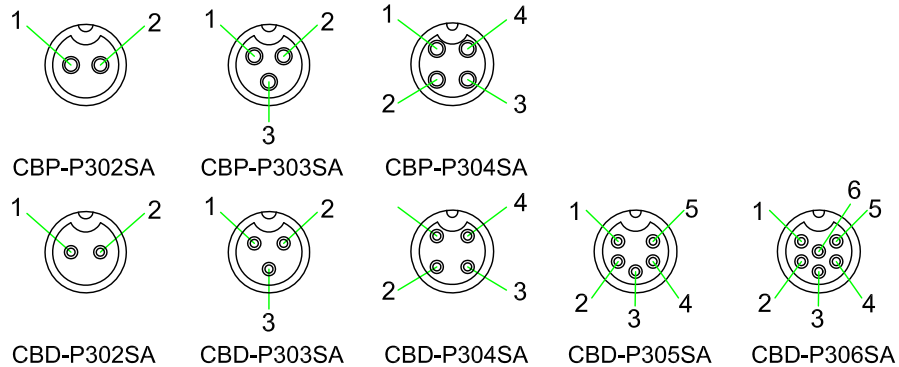


NOTES:

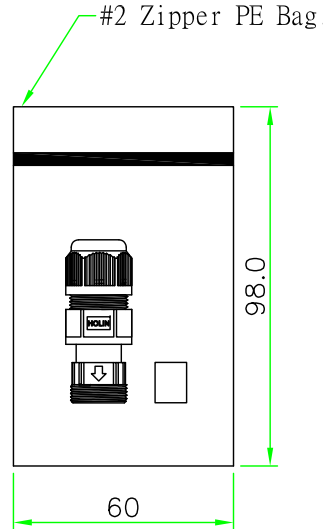
- ELECTRICAL CHARACTERISTICS:
 CURRENT RATING: 5A / 10A
 CONNECTOR TEMPERATURE RANGE: -20°C TO +80°C
 DIELECTRIC WITHSTANDING VOLTAGE:
 500V AC FOR ONE MINUTE
- HOW TO ORDER: CB_x-P3_{xx}SA

- 02 - 2 PIN
- 03 - 3 PIN
- 04 - 4 PIN
- 05 - 5 PIN
- 06 - 6 PIN

P - CURRENT RATING 10A
 D - CURRENT RATING 5A



PIN ASSIGNMENT FRONT VIEW
(前視圖)



7	CLAMP NUT	NYLON+GF	BLACK	1	
6	TUBE	EPDM, (ID= 5.0 & 8.0mm.)	BLACK	2	
5	HOOD	NYLON.	BLACK	1	
4	GASKET	EPDM.	BLACK	1	
3	CONTACT	Brass ,Female Pin. 6u"Gold Plated.		N	
2	O-RING	NBR.	BLACK	1	
1	CONNECTOR	B Size Male Connector Insert, NYLON+GF.		1	
No.	PART NAME	DESCRIPTION	COLOR	Q'TY	REMARKS

HOLIN [®] HTP ASIA TECHNOLOGY CO., LTD. 禾凌科技股份有限公司					
		UNIT: mm	TITLE : Circular B Size Screw Type Male Connector Female Pin Field Installable Plug		
SCALE	1:1		P/N:		DR. Patty
UNLESS OTHERWISE SPECIFIED TOLERANCES: .x ± 0.25 .xx ± 0.1 .xxx ± 0.05 ANGLE ± 1°			CBx-P3xxSA		CH. ERIC
REV.	SHEET	DWG.NO:	AP.		
A	1/1	CBx-P3xxSA			