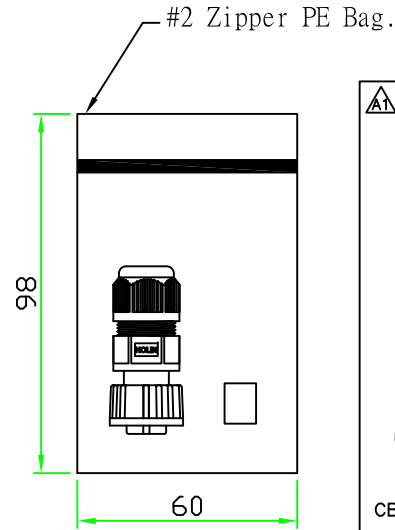
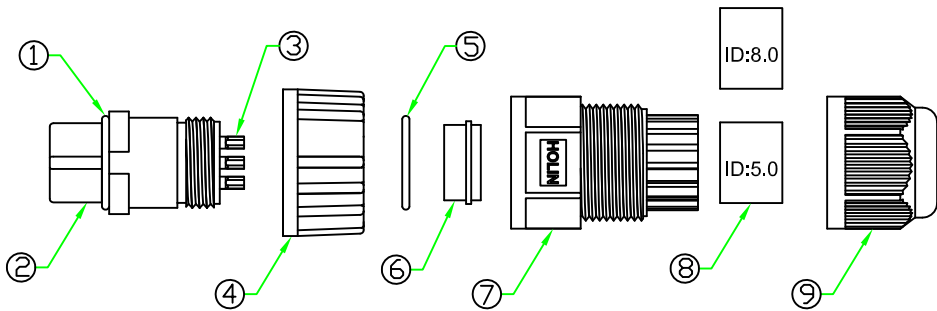
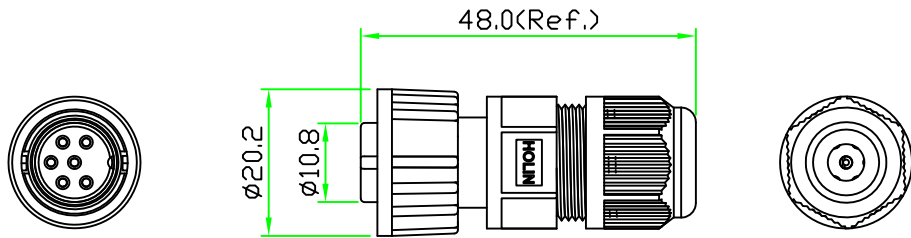
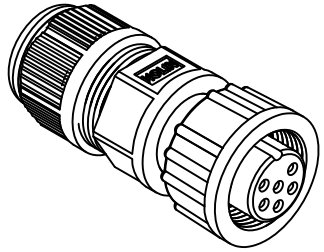


RoHS  
IP66~68

REV.	DESCRIPTION	DATE
A	ISSUE	Jan/09/2013
A1	Add Pin Assignment	Aug/29/2014



NOTES:

1. ELECTRICAL CHARACTERISTICS:

CURRENT RATING: 2A / 5A /10A

CONNECTOR TEMPERATURE RANGE: -40°C TO +105°C

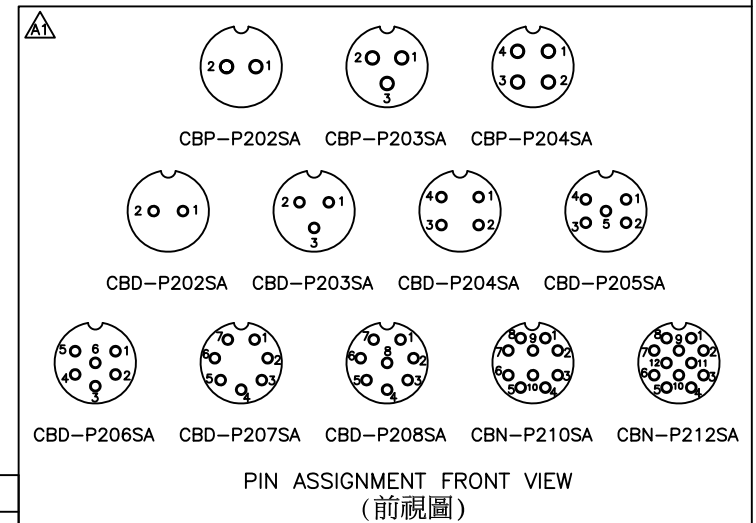
DIELECTRIC WITHSTANDING VOLTAGE:

500V AC FOR ONE MINUTE

2. HOW TO ORDER: CBx-P2xxSA

- 02 - 2 PIN 07 - 7 PIN
- 03 - 3 PIN 08 - 8 PIN
- 04 - 4 PIN 10 - 10 PIN
- 05 - 5 PIN 12 - 12 PIN
- 06 - 6 PIN

- P - CURRENT RATING 10A
- D - CURRENT RATING 5A
- N - CURRENT RATING 2A



9	CLAMP NUT	NYLON+GF	BLACK	1	
8	TUBE	EPDM, (ID= 5.0 & 8.0mm.)	BLACK	2	
7	HOOD	NYLON	BLACK	1	
6	GASKET	EPDM.	BLACK	1	
5	O-RING	NBR.	BLACK	1	
4	SCREW NUT	NYLON+GF	BLACK	1	
3	CONTACT	BRASS, Female Pin. 6u"Gold Plated.		N	
2	CONNECTOR	B Size Female Connector Insert, NYLON+GF.		1	
1	O-RING	VITON	BLACK	1	
No.	PART NAME	DESCRIPTION	COLOR	Q'TY	REMARKS

		UNIT: mm	<b>TITLE :</b> Circular B Size Screw Type Female Connector Female Pin Field Installable Plug	
		SCALE 1:1		
UNLESS OTHERWISE SPECIFIED TOLERANCES: .X ± 0.25 .XX ± 0.1 .XXX ± 0.05 ANGLE ± 1° REV. SHEET		<b>P/N:</b> CBx-P2xxSA	DR. Patty	
<b>REV. A1</b>			CH. ERIC	
<b>SHEET 1/1</b>		<b>DWG.NO:</b> CBx-P2xxSA	<b>AP.</b>	