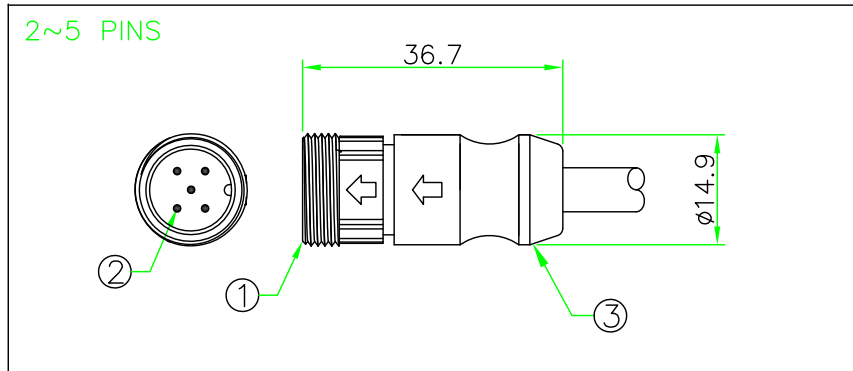
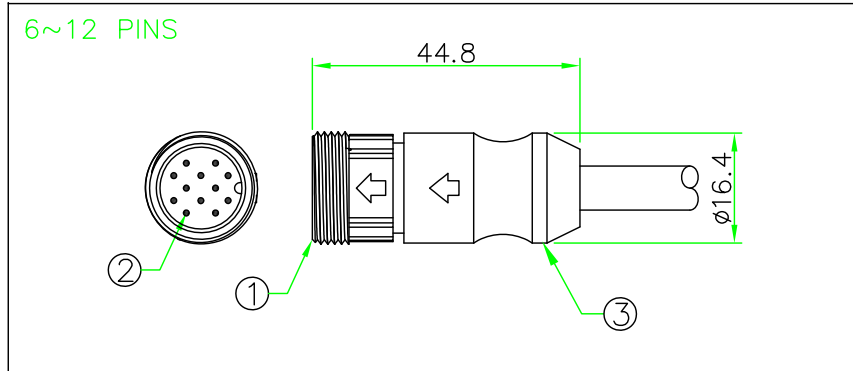


RoHS

IP66-68



REV.	DESCRIPTION	DATE
A	ISSUE	May/22/2015

Ref.

NOTES:

1. ELECTRICAL CHARACTERISTICS:

CURRENT RATING: 2A \ 5A \ 10A

CONNECTOR TEMPERATURE RANGE: -20°C TO +80°C

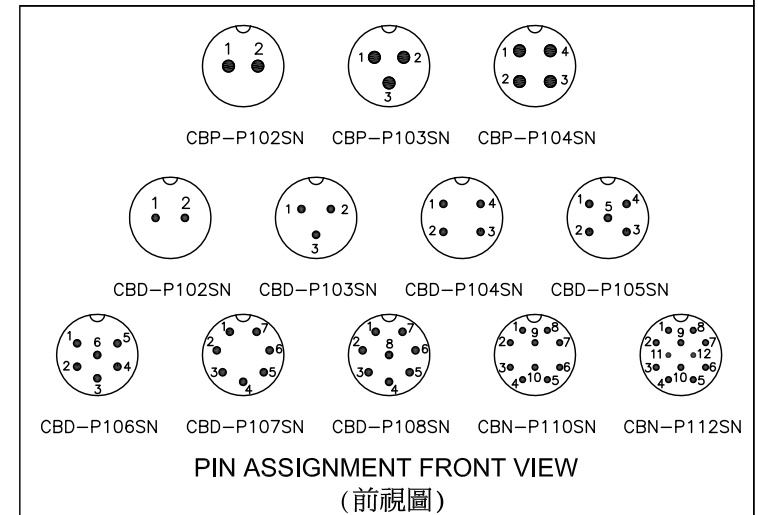
DIELECTRIC WITHSTANDING VOLTAGE:

500V AC FOR ONE MINUTE

2. HOW TO ORDER: CBx-P1xxSN

- 02 - 2 PIN
- 03 - 3 PIN
- 04 - 4 PIN
- 05 - 5 PIN
- 06 - 6 PIN
- 07 - 7 PIN
- 08 - 8 PIN
- 10 - 10 PIN
- 12 - 12 PIN

- P - CURRENT RATING 10A
- D - CURRENT RATING 5A
- N - CURRENT RATING 2A



**HOLIN**® HTP ASIA TECHNOLOGY CO., LTD.  
禾凌科技股份有限公司

	UNIT: mm	TITLE :	Circular B Size Screw Type Male Connector Male Pin Molded Cable
SCALE	1:1		

UNLESS OTHERWISE SPECIFIED TOLERANCES: .X ± 0.5 .XX ± 0.25 .XXX ± 0.1 ANGLE ± 1°		P/N: CBx-P1xxSN	DR. Patty
REV. A	SHEET 1/1		CH. ERIC
DWG.NO: CBx-P1xxSN			AP.

3	OVERMOLD	PVC or PU.	BLACK	1	
2	CONTACT	Brass ,Male Pin. 6u" Gold Plated.		N	
1	CONNECTOR	B Size Male Connector Insert, NYLON+GF.	BLACK	1	
No.	PART NAME	DESCRIPTION	COLOR	Q'TY	REMARKS