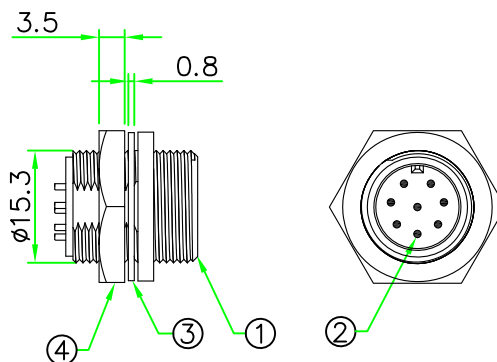
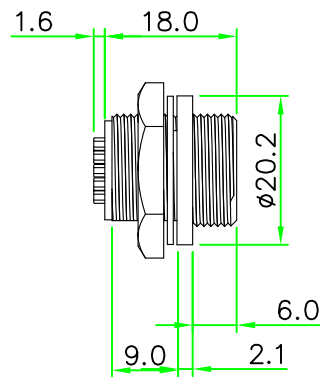
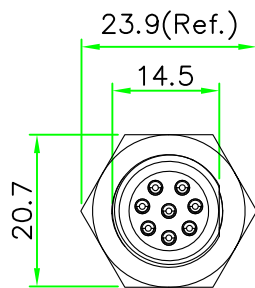
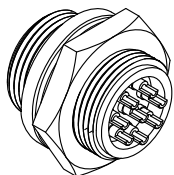
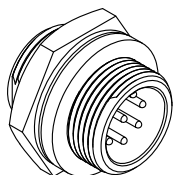


RECOMMENDED  
PANEL CUT OUT

**RoHS**  
**IP66~68**



REV.	DESCRIPTION	DATE
A	ISSUE	Jul/16/2014

NOTES:

1. ELECTRICAL CHARACTERISTICS:

CURRENT RATING: 2A / 5A / 10A

CONNECTOR TEMPERATURE RANGE: -40°C TO +105°C

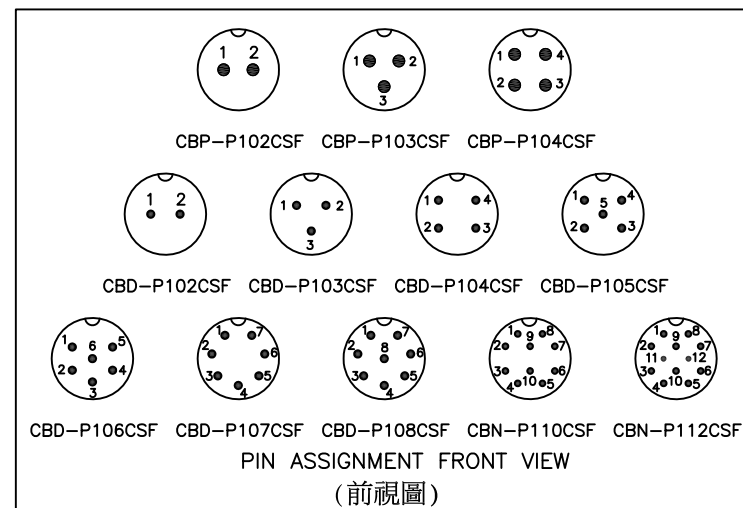
DIELECTRIC WITHSTANDING VOLTAGE:

500V AC FOR ONE MINUTE

2. HOW TO ORDER: CBx-P1xxCSF

- 02 - 2 PIN    07 - 7 PIN
- 03 - 3 PIN    08 - 8 PIN
- 04 - 4 PIN    10 - 10 PIN
- 05 - 5 PIN    12 - 12 PIN
- 06 - 6 PIN

- P - CURRENT RATING 10A
- D - CURRENT RATING 5A
- N - CURRENT RATING 2A



**HOLIN<sup>®</sup>** HTP ASIA TECHNOLOGY CO., LTD.  
禾凌科技股份有限公司

	UNIT: mm	TITLE : Circular B Size Male Connector Male Pin Screw Type Round Flange Front Panel Mount Solder Bucket Pin	
SCALE	1:1	P/N: CBx-P1xxCSF	DR. Patty
UNLESS OTHERWISE SPECIFIED TOLERANCES: .x ± 0.25 .xx ± 0.1 .xxx ± 0.05 ANGLE ± 1°			CH. ERIC
REV. A	SHEET 1/1	DWG.NO: CBx-P1xxCSF	AP.

No.	PART NAME	DESCRIPTION	COLOR	Q'TY	REMARKS
4	HEX NUT	Nylon + GF.	BLACK	1	
3	GASKET	EPDM.	BLACK	1	
2	CONTACT	Brass , 6 u" Gold Plated . Male Contact.		N	
1	CONNECTOR	B Size Male Connector Insert.NYLON+GF.	BLACK	1	