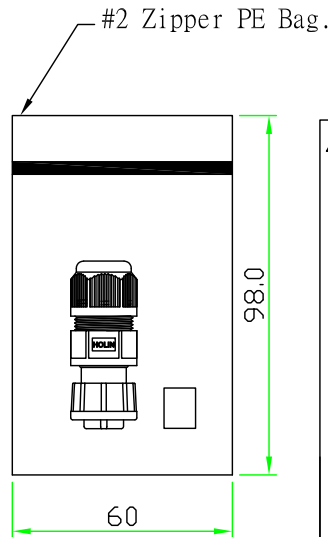
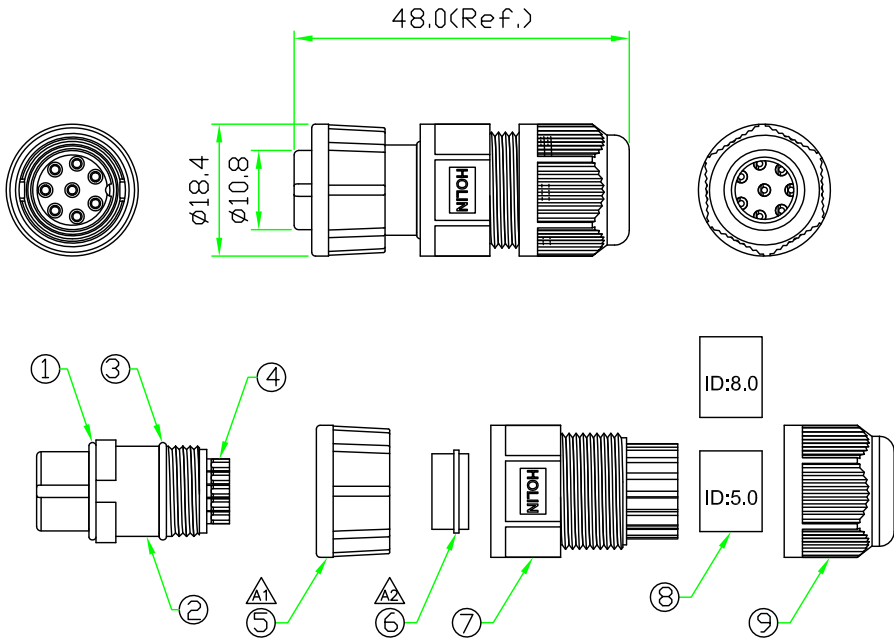
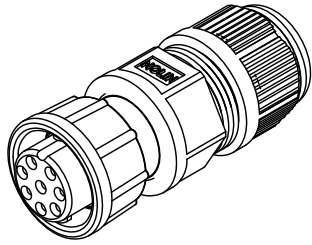


RoHS



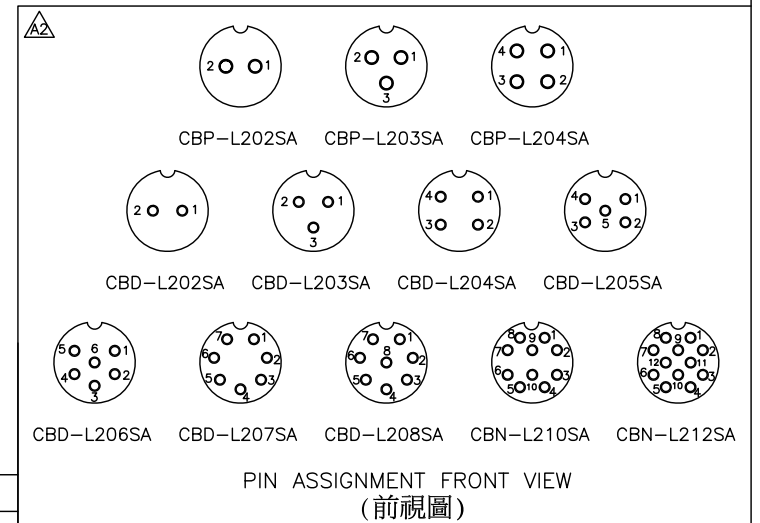
REV.	DESCRIPTION	DATE
A	ISSUE	Sep/04/2008
A1	Change rubber material & lock nut.	Jan/09/2013
A2	Change ©Shape And Add Pin Assignment	Jun/17/2014

NOTES:

- ELECTRICAL CHARACTERISTICS:
 CURRENT RATING: 2A / 5A /10A
 CONNECTOR TEMPERATURE RANGE: -40°C TO +105°C
 DIELECTRIC WITHSTANDING VOLTAGE:
 500V AC FOR ONE MINUTE

2. HOW TO ORDER: CBx-L2xxSA

- 02 - 2 PIN 07 - 7 PIN
- 03 - 3 PIN 08 - 8 PIN
- 04 - 4 PIN 10 - 10 PIN
- 05 - 5 PIN 12 - 12 PIN
- 06 - 6 PIN
- P - CURRENT RATING 10A
- D - CURRENT RATING 5A
- N - CURRENT RATING 2A



9	CLAMP NUT	NYLON+GF	BLACK	1	
8	TUBE	EPDM, (ID= 5.0 & 8.0mm.)	BLACK	2	
7	HOOD	NYLON	BLACK	1	
6	GASKET	EPDM.	BLACK	1	
5	LOCKING NUT	NYLON+GF	BLACK	1	
4	CONTACT	Brass ,Female Pin. 6u"Gold Plated.		N	
3	O-RING	Silcon.	BLACK	1	
2	CONNECTOR	B Size Female Connector Insert, NYLON+GF.		1	
1	O-RING	VITON	BLACK	1	
No.	PART NAME	DESCRIPTION	COLOR	Q'TY	REMARKS

HOLIN® HTP ASIA TECHNOLOGY CO., LTD.
禾凌科技股份有限公司

UNIT: mm TITLE : Circular B Size Lock Type Female Connector Female Pin Field Installable Plug

SCALE 1:1

UNLESS OTHERWISE SPECIFIED TOLERANCES:
 x ±0.25 xx ± 0.1
 xxx ±0.05 ANGLE ± 1°X

REV. A2 SHEET 1/1 DWG.NO: CBx-L2xxSA

P/N: CBx-L2xxSA

DR. Patty
 CH. ERIC
 AP.