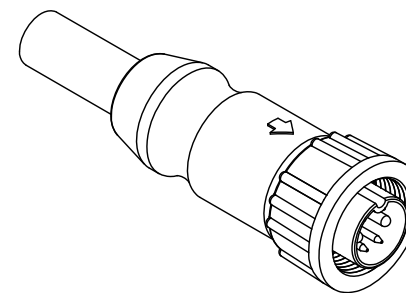
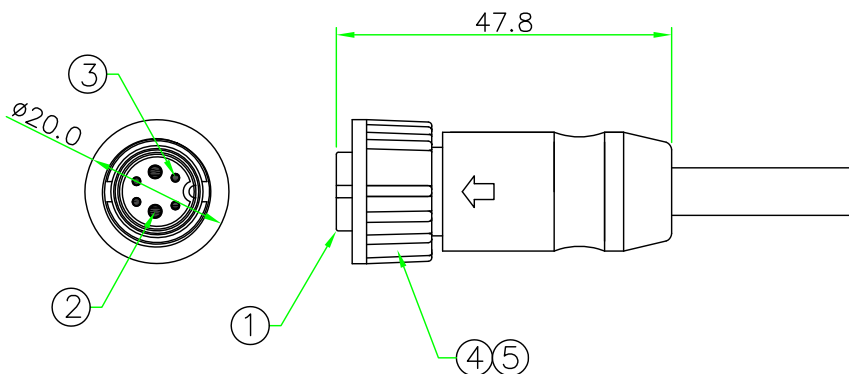


RoHS

IP66~68

REV.	DESCRIPTION	DATE
A	ISSUE	Nov/03/2015

Ref.



NOTES:

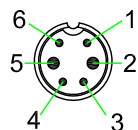
1. ELECTRICAL CHARACTERISTICS:

CURRENT RATING: 10A + 5A

CONNECTOR TEMPERATURE RANGE: -20°C TO +80°C

DIELECTRIC WITHSTANDING VOLTAGE:

500V AC FOR ONE MINUTE



PIN ASSIGNMENT
FRONT VIEW

(前視圖)

HOLIN® HTP ASIA TECHNOLOGY CO., LTD.
禾凌科技股份有限公司

No.	PART NAME	DESCRIPTION	COLOR	Q'TY	REMARKS
5	SCREW NUT	NYLON+GF.	BLACK	1	
4	O-RING	VITON	BLACK	1	
3	CONTACT	Brass, Male Pin. 6u" Gold Plated.(5A)		4	
2	CONTACT	Brass, Male Pin. 6u" Gold Plated.(10A)		2	
1	CONNECTOR	B Size Female Connector Insert, NYLON+GF.	BLACK	1	

	UNIT: mm	TITLE :	Circular B Size Screw Type Female connector Male Pin Molded Cable
SCALE	1:1	P/N:	CBPD-P424SN
UNLESS OTHERWISE SPECIFIED TOLERANCES: .x ± 0.5 .xx ± 0.25 .xxx ± 0.1 ANGLE ± 1°		DWG.NO:	CBPD-P424SN
REV. A	SHEET 1/1	DR.	Patty
		CH.	ERIC
		AP.	