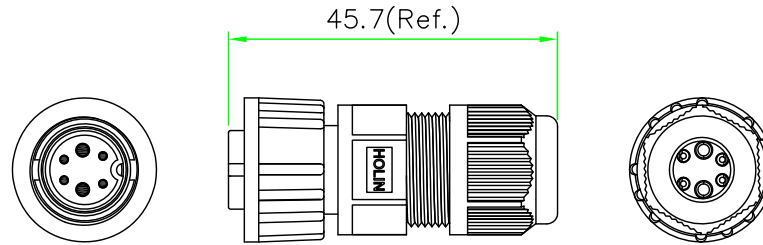
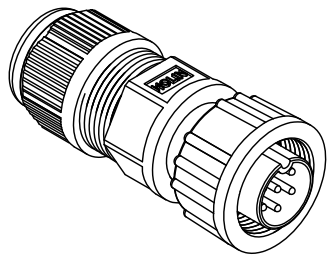
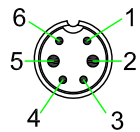


**RoHS**  
**IP66-68**

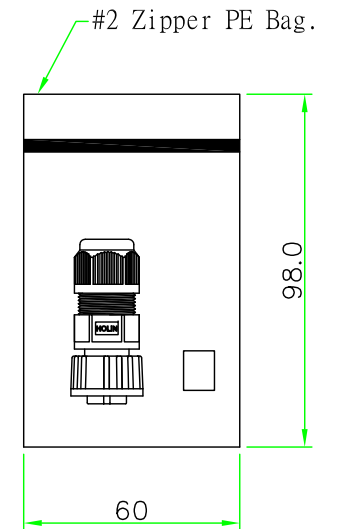
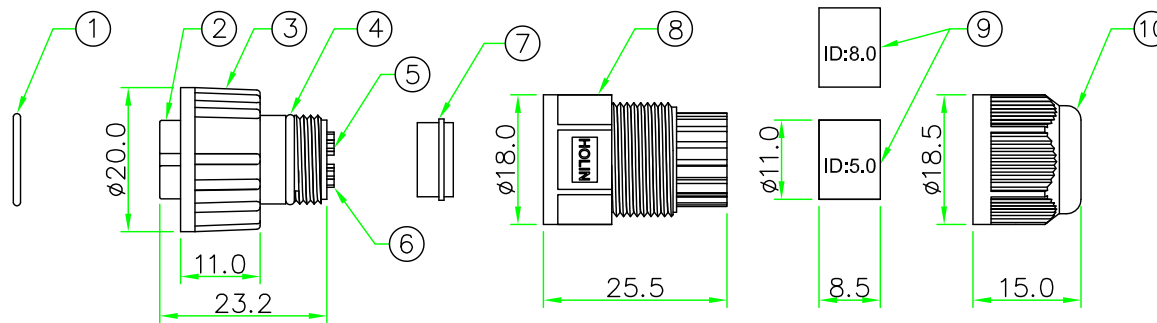
REV.	DESCRIPTION	DATE
A	ISSUE	May/11/2015



NOTES:  
1. ELECTRICAL CHARACTERISTICS:  
CURRENT RATING: 10A + 5A  
CONNECTOR TEMPERATURE RANGE: -20°C TO +80°C  
DIELECTRIC WITHSTANDING VOLTAGE:  
500V AC FOR ONE MINUTE



PIN ASSIGNMENT  
FRONT VIEW  
(前視圖)



10	CLAMP NUT	NYLON+GF.	BLACK	1	
9	TUBE	Rubber ( ID= 5.0 & 8.0mm)	BLACK	2	
8	HOOD	NYLON.	BLACK	1	
7	GASKET	EPDM	BLACK	1	
6	CONTACT	Brass , 6 u" Gold plated .Male Contact.		4	
5	CONTACT	Brass , 6 u" Gold plated .Male Contact.		2	
4	O-RING	NBR.	BLACK	1	
3	SCREW NUT	NYLON+GF.	BLACK	1	
2	CONNECTOR	B Size Female Connector Insert, NYLON+GF.	BLACK	1	
1	O-RING	NBR.	BLACK	1	
No.	PART NAME	DESCRIPTION	COLOR	Q'TY	REMARKS

**HOLIN®** HTP ASIA TECHNOLOGY CO., LTD.  
禾凌科技股份有限公司

	UNIT: mm	TITLE :	Circular B Size Screw Type Female connector Male Pin Field Installable Plug
SCALE	1:1	P/N:	CBPD-P424SA
UNLESS OTHERWISE SPECIFIED TOLERANCES: .x ± 0.25 .xx ± 0.1 .xxx ± 0.05 ANGLE ± 1°		DWG.NO:	CBPD-P424SA
REV. A	SHEET 1/1	DR.	Patty
		CH.	ERIC
		AP.	