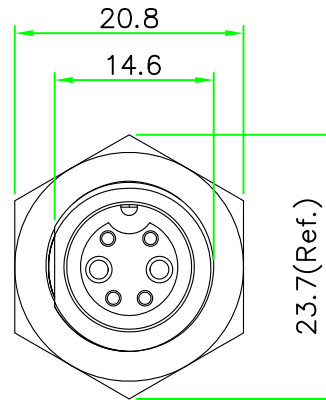
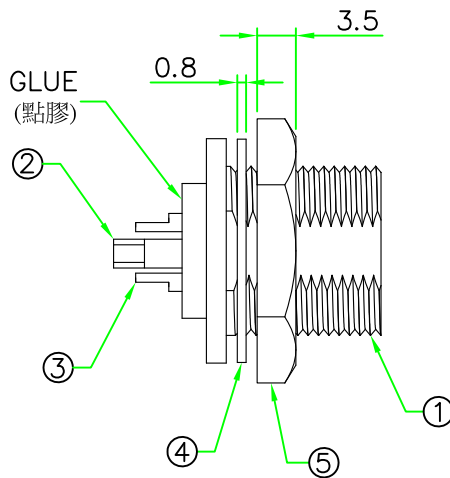
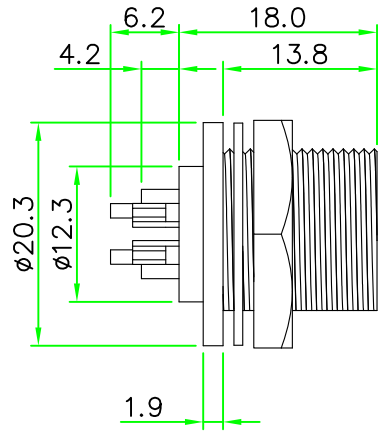


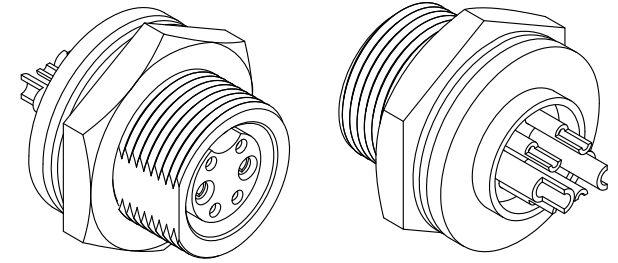
RECOMMENDED PANEL CUT OUT

RoHS

IP66~68



REV.	DESCRIPTION	DATE
A	ISSUE	Sep/23/2014



NOTES:

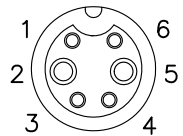
1. ELECTRICAL CHARACTERISTICS:

CURRENT RATING: 5A+10A

CONNECTOR TEMPERATURE RANGE: -25°C TO +85°C

DIELECTRIC WITHSTANDING VOLTAGE:

500V AC FOR ONE MINUTE



Pin Assignment Front View (前視圖)

5	HEX NUT	Nylon + GF.	BLACK	1	
4	GASKET	EPDM.	BLACK	1	
3	CONTACT	Brass , 6 u" Gold Plated . Female Contact.		4	
2	CONTACT	Brass , 6 u" Gold Plated . Female Contact.		2	
1	CONNECTOR	B Size Male Connector Insert.NYLON+GF.	BLACK	1	
No.	PART NAME	DESCRIPTION	COLOR	Q'TY	REMARKS

**HOLIN**® HTP ASIA TECHNOLOGY CO., LTD.  
禾凌科技股份有限公司

	UNIT: mm	TITLE : Circular B Size Male Connector Female Pin Rear Mount Screw Type Round Flange Solder Bucket Pin	
SCALE	1.5:1	P/N: CBPD-P324CSR	DR. Patty
UNLESS OTHERWISE SPECIFIED TOLERANCES: .X ± 0.25 .XX ± 0.1 .XXX ± 0.05 ANGLE ± 1°			CH. ERIC
REV. A	SHEET 1/1	DWG.NO: CBPD-P324CSR	AP.