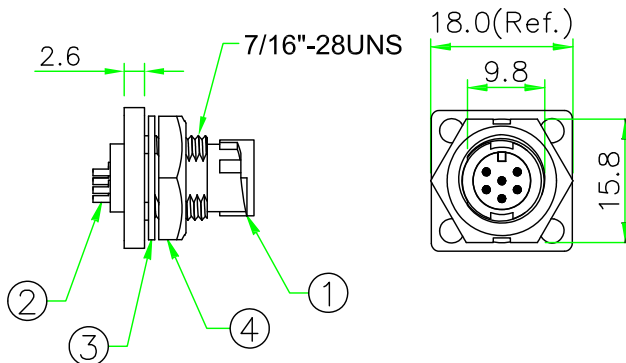
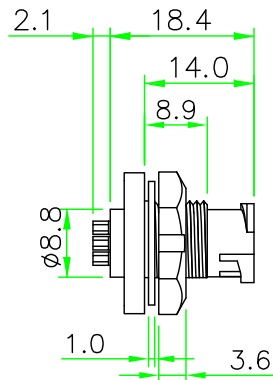
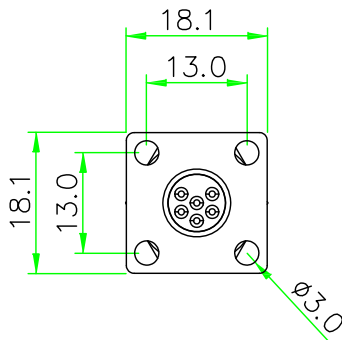


RECOMMENDED
PANEL CUT OUT

RoHS

IP66~68



REV.	DESCRIPTION	DATE
A	ISSUE	Sep/02/2015

NOTES:

1. ELECTRICAL CHARACTERISTICS:

CURRENT RATING: 2A / 5A

CONNECTOR TEMPERATURE RANGE: -25°C TO +85°C

DIELECTRIC WITHSTANDING VOLTAGE:

500V AC FOR ONE MINUTE

2. MAXIMUM PANEL THICKNESS:3.2mm

3. HOW TO ORDER: CAX-L1xxQSR

- 02 - 2 PIN
- 03 - 3 PIN
- 04 - 4 PIN
- 05 - 5 PIN
- 06 - 6 PIN

D - CURRENT RATING 5A

N - CURRENT RATING 2A



CAD-L102QSR



CAD-L103QSR



CAN-L104QSR



CAN-L105QSR



CAN-L106QSR

PIN ASSIGNMENT FRONT VIEW

(前視圖)

HOLIN[®] HTP ASIA TECHNOLOGY CO., LTD.
禾凌科技股份有限公司

	UNIT: mm	TITLE	Circular A Size Male Connector Male Pin Rear Mount Lock Type Square Flange Solder Bucket Pin	
SCALE	1:1	P/N:	CAX-L1xxQSR	DR. Patty
UNLESS OTHERWISE SPECIFIED TOLERANCES: .x ± 0.5 .xx ± 0.25 .xxx ± 0.1 ANGLE ± 1°		CH.	ERIC	
REV. A	SHEET 1/1	DWG.NO:	CAX-L1xxQSR	AP.

No.	PART NAME	DESCRIPTION	COLOR	Q'TY	REMARKS
4	HEX NUT	NYLON+GF.	BLACK	1	
3	GASKET	EPDM.	BLACK	1	
2	CONTACT	Brass, 6 u" Gold Plated. Male Contact.		N	
1	CONNECTOR	A Size Male Connector Insert. NYLON+GF.	BLACK	1	