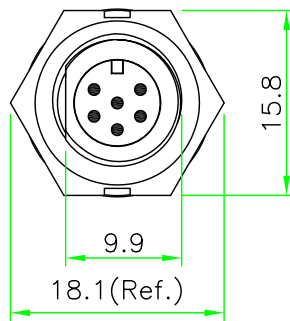
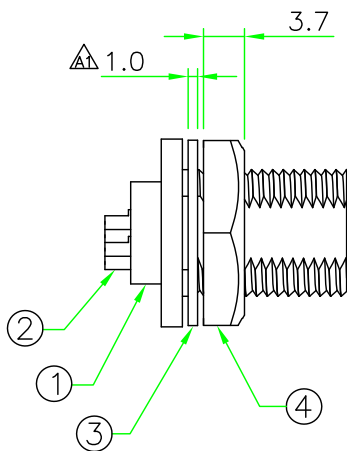
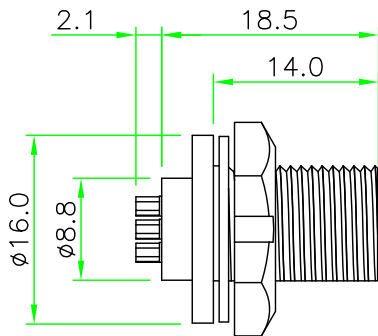
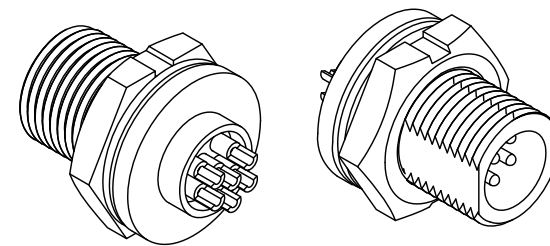


RECOMMENDED  
PANEL CUT OUT

**RoHS**  
**IP66~68**



REV.	DESCRIPTION	DATE
A	ISSUE	Sep/29/2014
A1	Modify Gasket Thickness	Jun/18/2015

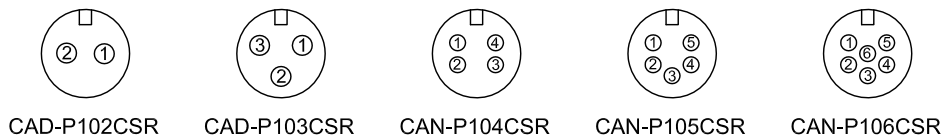


NOTES:

- ELECTRICAL CHARACTERISTICS:  
CURRENT RATING: 2A / 5A  
CONNECTOR TEMPERATURE RANGE: -25°C TO +85°C  
DIELECTRIC WITHSTANDING VOLTAGE:  
500V AC FOR ONE MINUTE
- PANEL THICKNESS MAX. 4.0mm
- HOW TO ORDER: CAX-P1xxCSR

- 02 - 2 PIN    04 - 4 PIN
- 03 - 3 PIN    05 - 5 PIN
- 06 - 6 PIN
- D - CURRENT RATING 5A
- N - CURRENT RATING 2A

OLD P/N: CAX-P1xxCS



PIN ASSIGNMENT FRONT VIEW  
(前視圖)

4	HEX NUT	NYLON+GF.	BLACK	1	
3	GASKET	EPDM.	BLACK	1	
2	CONTACT	Brass , 6 u" Gold Plated . Male Contact.		N	
1	CONNECTOR	A Size Male Connector Insert.NYLON+GF.	BLACK	1	
No.	PART NAME	DESCRIPTION	COLOR	Q'TY	REMARKS

<b>HOLIN<sup>®</sup></b> HTP ASIA TECHNOLOGY CO., LTD. 禾凌科技股份有限公司					
		UNIT: mm	TITLE	Circular A Size Male Connector Male Pin Rear Mount Screw Type Round Flange Solder Bucket Pin	
SCALE	1.5:1		P/N:	CAX-P1xxCSR	DR. Patty
UNLESS OTHERWISE SPECIFIED TOLERANCES:					CH. ERIC
.X ± 0.5	.XX ± 0.25				
.XXX ± 0.1	ANGLE ± 1°				
REV. A1	SHEET 1/1	DWG.NO:	CAX-P1xxCSR		AP.