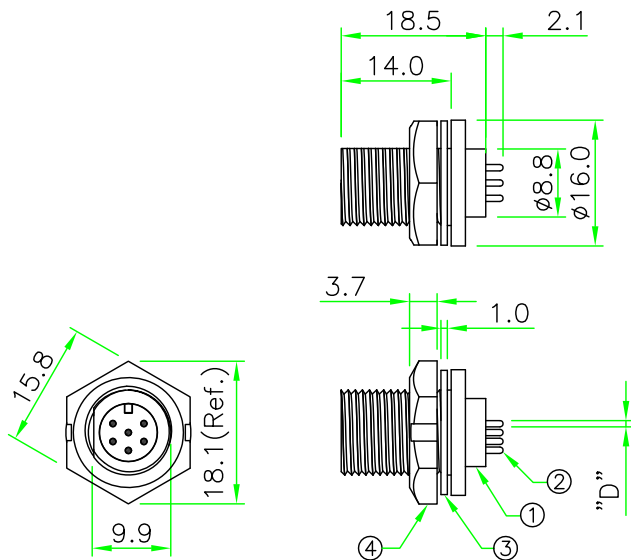


RECOMMENDED  
PANEL CUT OUT

RoHS

IP66~68

OLD P/N: CAX-P1xxCP  
(原型號)



P/N	D
CAD	∅1.0
CAN	∅0.8

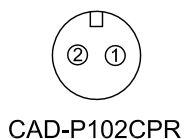
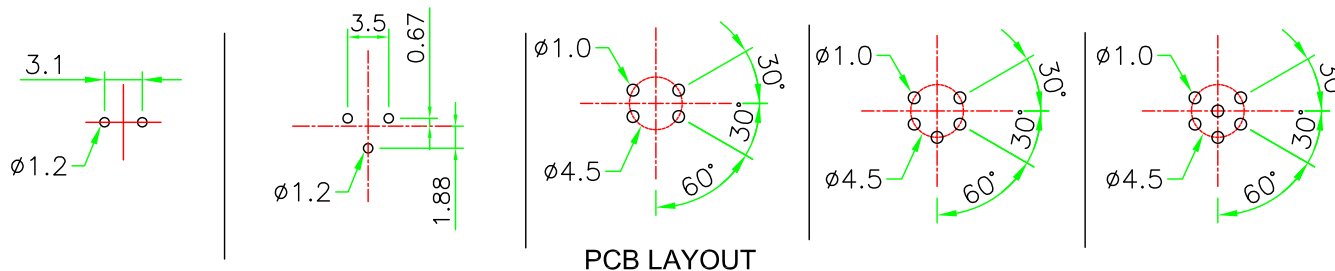
REV.	DESCRIPTION	DATE
A	ISSUE	Jan/14/2015
A1	Modify Gasket Thickness	Jun/18/2015

NOTES:

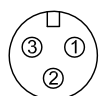
- ELECTRICAL CHARACTERISTICS:  
CURRENT RATING: 2A / 5A  
CONNECTOR TEMPERATURE RANGE: -25°C TO +85°C  
DIELECTRIC WITHSTANDING VOLTAGE:  
500V AC FOR ONE MINUTE
- WITHOUT WATERPROOF CAP REQUEST:  
PANEL THICKNESS MAX. 9.2mm  
WITH WATERPROOF CAP REQUEST:  
PANEL THICKNESS MAX. 5.0mm
- HOW TO ORDER: CAX-P1xxCPR

- 02 - 2 PIN
- 03 - 3 PIN
- 04 - 4 PIN
- 05 - 5 PIN
- 06 - 6 PIN

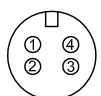
D - CURRENT RATING 5A  
N - CURRENT RATING 2A



CAD-P102CPR



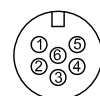
CAD-P103CPR



CAN-P104CPR



CAN-P105CPR



CAN-P106CPR

PIN ASSIGNMENT FRONT VIEW  
(前視圖)

**HOLIN**® HTP ASIA TECHNOLOGY CO., LTD.  
禾凌科技股份有限公司

4	HEX NUT	NYLON+GF.	BLACK	1	
3	GASKET	EPDM.	BLACK	1	
2	CONTACT	Brass, 6 u" Gold Plated . Male Contact.		N	
1	CONNECTOR	A Size Male Connector Insert.NYLON+GF.	BLACK	1	
No.	PART NAME	DESCRIPTION	COLOR	Q'TY	REMARKS

	UNIT: mm	TITLE	Circular A Size Male Connector Male Pin Rear Mount Screw Type Round Flange PCB Pin		
SCALE	1:1	P/N:	CAX-P1xxCPR		
UNLESS OTHERWISE SPECIFIED TOLERANCES: .X ± 0.5 .XX ± 0.25 .XXX ± 0.1 ANGLE ± 1°		DR.	Patty		
REV.	SHEET	CH.	ERIC		
A1	1/1	AP.	DWG.NO: CAX-P1xxCPR		