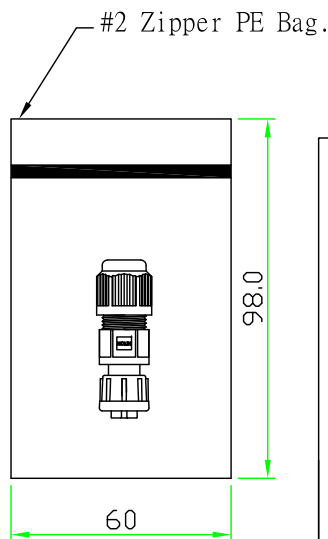
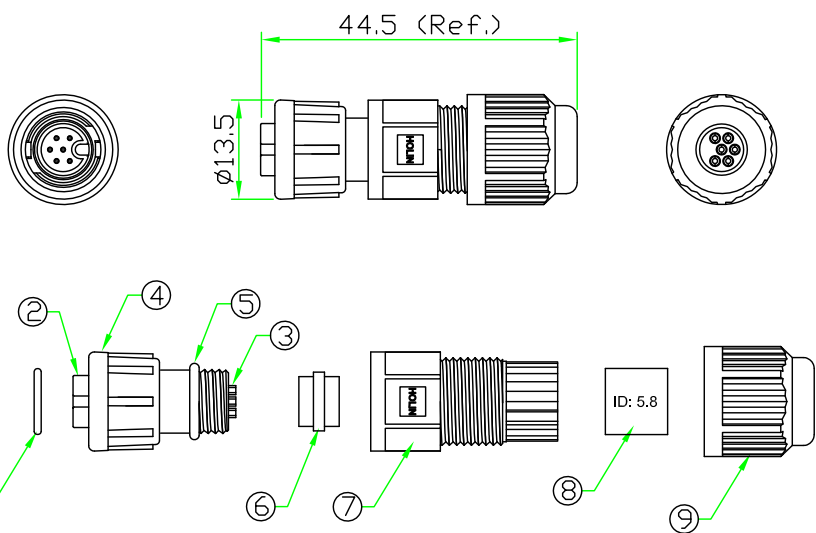
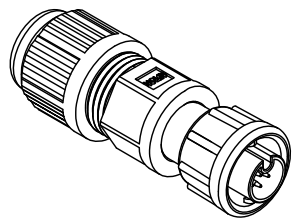


RoHS

IP66~68



REV.	DESCRIPTION	DATE
A	ISSUE	May/19/2015

NOTES:

1. ELECTRICAL CHARACTERISTICS:

CURRENT RATING: 2A / 5A

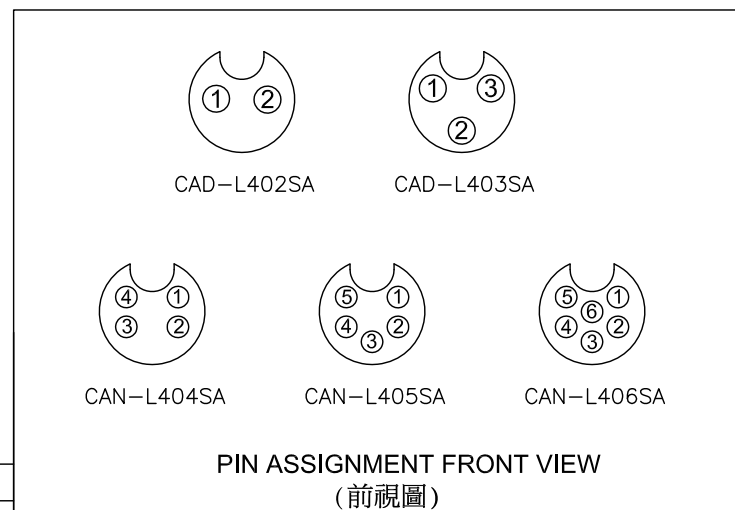
CONNECTOR TEMPERATURE RANGE: -20°C TO +80°C

DIELECTRIC WITHSTANDING VOLTAGE:

500V AC FOR ONE MINUTE

2. HOW TO ORDER: CAx-L4xxSA

- 02 - 2 PINS 05 - 5 PINS
- 03 - 3 PINS 06 - 6 PINS
- 04 - 4 PINS
- D - CURRENT RATING 5A
- N - CURRENT RATING 2A



9	CLAMP NUT	NYLON+GF	BLACK	1	
8	TUBE	EPDM. (ID=5.8mm.)	BLACK	1	
7	HOOD	NYLON.	BLACK	1	
6	GASKET	EPDM.	BLACK	1	
5	O-RING	Silcon.	BLACK	1	
4	LOCK NUT	NYLON+GF	BLACK	1	
3	CONTACT	Brass ,Male Pin. 6u"Gold Plated.		N	
2	CONNECTOR	A Size Female Connector Insert, NYLON+GF.		1	
1	O-RING	Silcon.	BLACK	1	
No.	PART NAME	DESCRIPTION	COLOR	Q'TY	REMARKS

HOLIN[®] HTP ASIA TECHNOLOGY CO., LTD.
禾凌科技股份有限公司

UNIT: mm TITLE : Circular A Size Lock Type Female Connector Male Pin Field Installable Plug

SCALE : 1:1

UNLESS OTHERWISE SPECIFIED TOLERANCES:
 .X ± 0.25 .XX ± 0.1
 .XXX ± 0.05 ANGLE ± 1°

REV. A SHEET 1/1 DWG.NO: CAx-L4xxSA

P/N: CAx-L4xxSA

DR. Patty
 CH. ERIC
 AP.