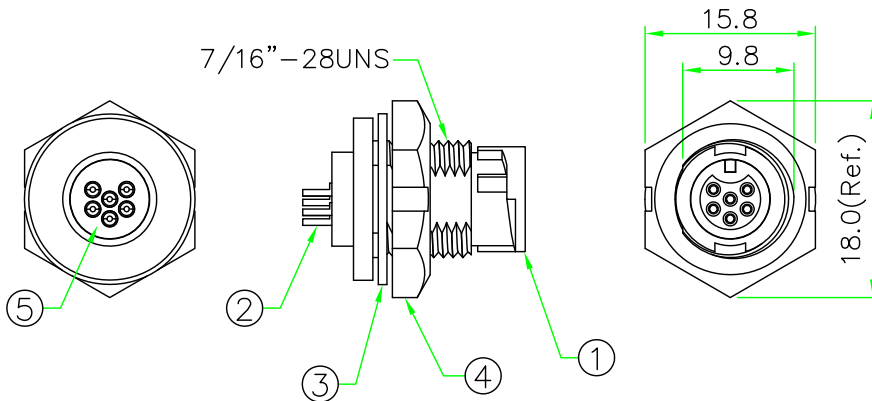
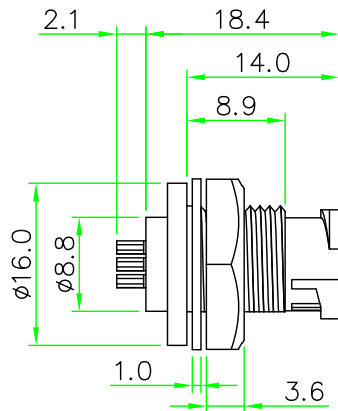


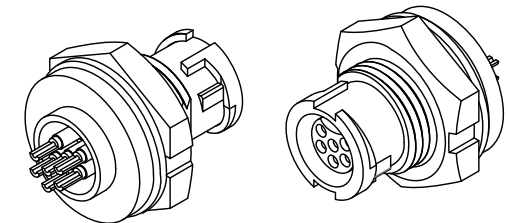
RECOMMENDED
PANEL CUT OUT

RoHS
IP66~68



REV.	DESCRIPTION	DATE
A	ISSUE	Sep/22/2015

Ref.



NOTES:

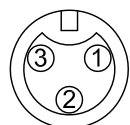
- ELECTRICAL CHARACTERISTICS:
CURRENT RATING: 2A / 5A
CONNECTOR TEMPERATURE RANGE: -25°C TO +85°C
DIELECTRIC WITHSTANDING VOLTAGE:
500V AC FOR ONE MINUTE
- PANEL THICKNESS MAX. 3.0mm
- HOW TO ORDER: CAx-L3xxCSR

- 02 - 2 PIN 04 - 4 PIN
- 03 - 3 PIN 05 - 5 PIN
- 06 - 6 PIN

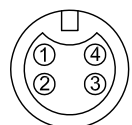
- D - CURRENT RATING 5A
- N - CURRENT RATING 2A



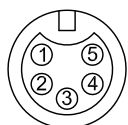
CAD-L302CSR



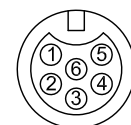
CAD-L303CSR



CAN-L304CSR



CAN-L305CSR



CAN-L306CSR

Pin Assignment Front View
(前視圖)

No.	PART NAME	DESCRIPTION	COLOR	Q'TY	REMARKS
5	GLUE	EPOXY.	BLACK		
4	HEX NUT	Nylon + GF.	BLACK	1	
3	GASKET	EPDM.	BLACK	1	
2	CONTACT	Brass, 6 u" Gold Plated. Female Contact.		N	
1	CONNECTOR	A Size Male Connector Insert. NYLON+GF.	BLACK	1	

HOLIN® HTP ASIA TECHNOLOGY CO., LTD.
禾凌科技股份有限公司

	UNIT: mm	TITLE : Circular A Size Male Connector Female Pin Rear Mount Lock Type Round Flange Solder Bucket Pin	
SCALE	1.5:1		
UNLESS OTHERWISE SPECIFIED TOLERANCES: x ±0.5 xx ±0.25 xxx ±0.1 ANGLE ± 1°		P/N:	CAx-L3xxCSR
REV.	SHEET	DWG.NO:	CAx-L3xxCSR
A	1/1	DR.	Patty
		CH.	ERIC
		AP.	