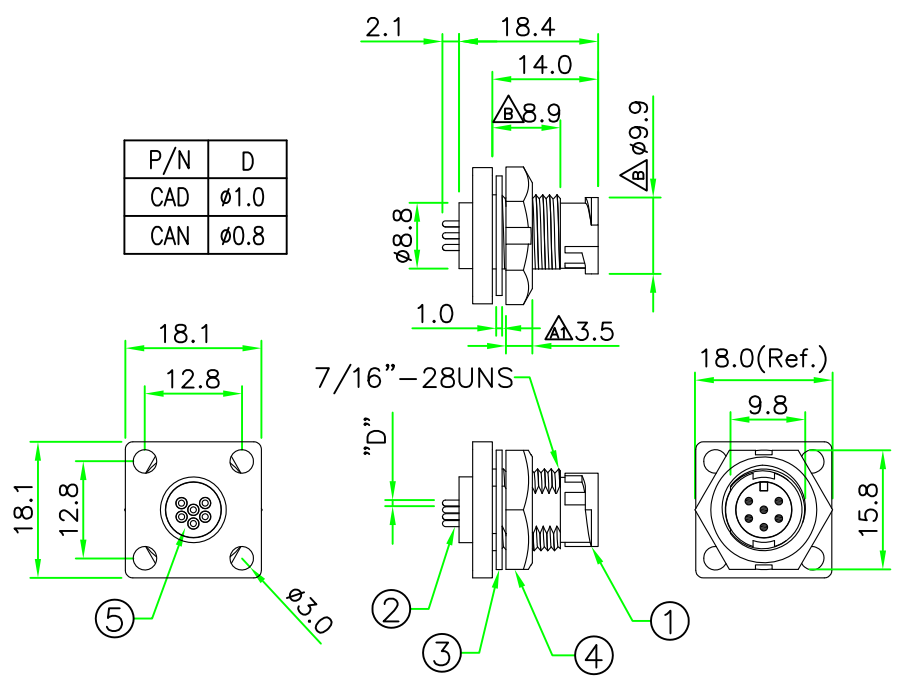


RECOMMENDED
PANEL CUT OUT

RoHS
IP66~68

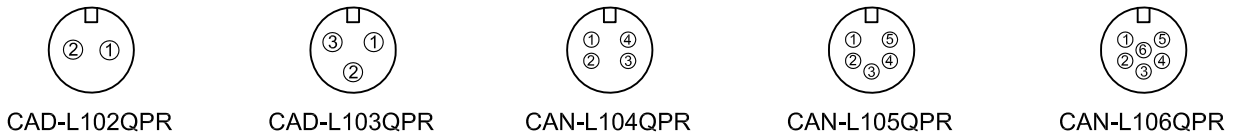
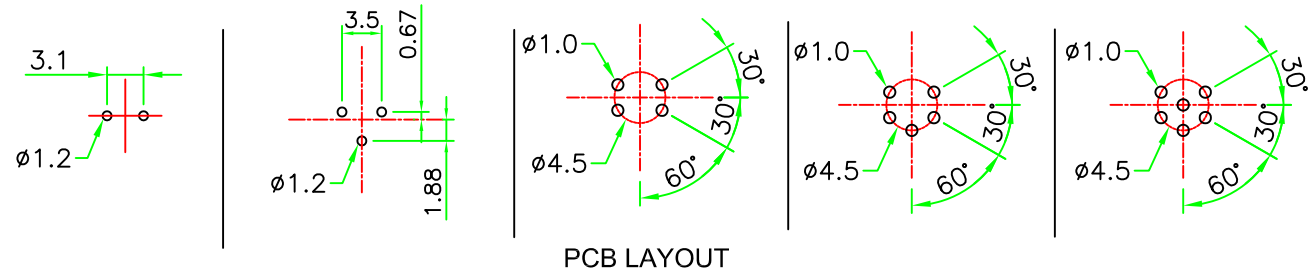
OLD P/N:CAx-L1xxQP
(原型號)

P/N	D
CAD	∅1.0
CAN	∅0.8



REV.	DESCRIPTION	DATE
A	ISSUE	Jan/14/2015
A1	Modify dimension	Jul/07/2015
B	Change Design	Oct/20/2015

- NOTES:
- ELECTRICAL CHARACTERISTICS:
CURRENT RATING: 2A / 5A
CONNECTOR TEMPERATURE RANGE: -25°C TO +85°C
DIELECTRIC WITHSTANDING VOLTAGE:
500V AC FOR ONE MINUTE
 - MAXIMUM PANEL THICKNESS:3.2mm
 - HOW TO ORDER: CAx-L1xxQPR
 - 02 - 2 PIN 04 - 4 PIN
 - 03 - 3 PIN 05 - 5 PIN
 - 06 - 6 PIN
- D - CURRENT RATING 5A
N - CURRENT RATING 2A



PIN ASSIGNMENT FRONT VIEW
(前視圖)

HOLIN® HTP ASIA TECHNOLOGY CO., LTD.
禾凌科技股份有限公司

No.	PART NAME	DESCRIPTION	COLOR	Q'TY	REMARKS
4	HEX NUT	NYLON+GF.	BLACK	1	
3	GASKET	EPDM.	BLACK	1	
2	CONTACT	Brass , 6 u" Gold Plated . Male Contact.		N	
1	CONNECTOR	A Size Male Connector Insert.NYLON+GF.	BLACK	1	

	UNIT: mm	TITLE	Circular A Size Male Connector Male Pin Rear Mount Lock Type Square Flange PCB Pin	
SCALE	1:1	P/N:	CAx-L1xxQPR	DR. Patty
UNLESS OTHERWISE SPECIFIED TOLERANCES: .x ± 0.5 .xx ± 0.25 .xxx ± 0.1 ANGLE ± 1°		REV.	B	CH. ERIC
REV.	SHEET 1/1	DWG.NO:	CAx-L1xxQPR	AP.