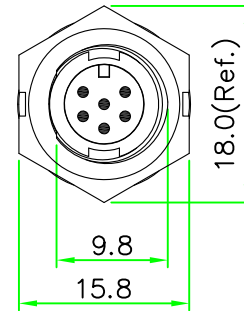
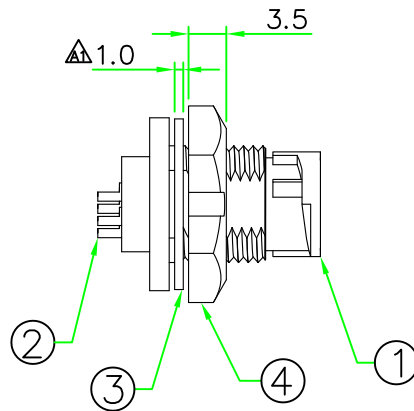
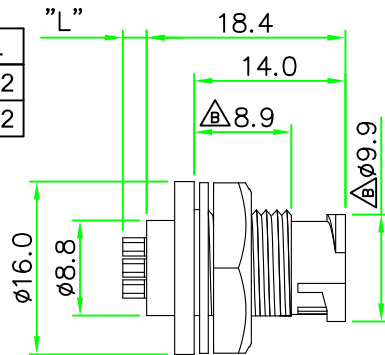


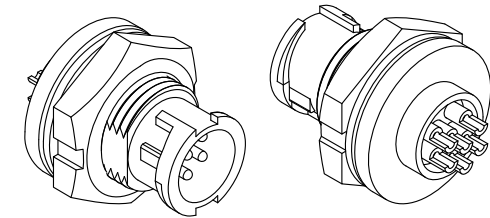
RECOMMENDED
PANEL CUT OUT

RoHS
IP66~68

P/N	L
CAD	2.2
CAN	2.2



REV.	DESCRIPTION	DATE
A	ISSUE	Sep/25/2014
A1	Modify Gasket Thickness	Jun/18/2015
B	Change Design	Oct/20/2015

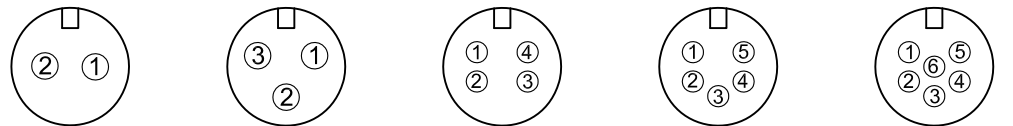


NOTES:

- ELECTRICAL CHARACTERISTICS:
CURRENT RATING: 2A / 5A
CONNECTOR TEMPERATURE RANGE: -25°C TO +85°C
DIELECTRIC WITHSTANDING VOLTAGE:
500V AC FOR ONE MINUTE
- HOW TO ORDER: CAX-L1xxCSR

- 02 - 2 PIN 04 - 4 PIN
- 03 - 3 PIN 05 - 5 PIN
- 06 - 6 PIN

- D - CURRENT RATING 5A
- N - CURRENT RATING 2A



CAD-L102CSR CAD-L103CSR CAN-L104CSR CAN-L105CSR CAN-L106CSR

PIN ASSIGNMENT FRONT VIEW
(前視圖)

No.	PART NAME	DESCRIPTION	COLOR	Q'TY	REMARKS
4	HEX NUT	Nylon + GF.	BLACK	1	
3	GASKET	EPDM.	BLACK	1	
2	CONTACT	Brass , 6 u" Gold Plated . Male Contact.		N	
1	CONNECTOR	A Size Male Connector Insert.NYLON+GF.	BLACK	1	

HOLIN® HTP ASIA TECHNOLOGY CO., LTD. 禾凌科技股份有限公司					
		UNIT: mm	TITLE : Circular A Size Male Connector Male Pin Rear Mount Lock Type Round Flange Solder Bucket Pin		
SCALE	1.5:1	P/N: CAX-L1xxCSR		DR.	Patty
UNLESS OTHERWISE SPECIFIED TOLERANCES:		.x ± 0.5 .xx ± 0.25		CH.	ERIC
		.xxx ± 0.1 ANGLE ± 1°		AP.	
REV.	SHEET	DWG.NO:			
B	1/1	CAX-L1xxCSR			