

★ Strip Lighting BLT48

Application areas:

Milling Machine, Turning Machine, Grinding Machine Tools, etc. Flexible Production Lines, and other harshest industrial environments where need high waterproof, dustproof performances

Features :

- Shell width 48mm, Light lengths available with 200/400/600/800mm
- Alumina housing with anodizing surface, durable toughened glass window, waterproof and dustproof up to IP67
- Cascadable models, the maximum number of cascadable lights up to 8pcs when the input 24V
- Mounting brackets with angle adjustable
- Easy installation: 4-pin M12 quick-disconnect models
- Lens and non-lens type, with uniform light distribution and no shadow



★ Indicating preferred model

★ Strip lighting BLT48 series parameter table

Appearance				
	 <ul style="list-style-type: none"> ■ Dimensions : Page18 ■ Mounting brackets : Page18 ■ Connectors : Page 25 ■ Wiring Diagram : Page 25 			
Model	BLT48W200-M BLT48W200L60-M	BLT48W400-M BLT48W400L60-M	BLT48W600-M BLT48W600L60-M	BLT48W800 BLT48W800-M
Connection	 DC			
Color temperature (CCT)	5700K			
Life time	50,000 hours, the luminous decay less than 30%			
Operating Voltage	18...36V dc			
Color	Cool White			
Lumens25°C	550lm	1100 lm	1600 lm	2100 lm
Current(18V)	0.34A	0.69A	1.03A	1.38A
Current(24V)	0.26A	0.52A	0.78A	1.03A
Current(36V)	0.17A	0.34A	0.52A	0.69A
Power	6.2W	12.4W	18.6W	24.8W
Single/Cascadable	Cascadable			
Connection	4-pin M12 connector			
Materials	Alumina housing ;tempered glass window; aluminum bracket			
IP degree	IP67			
Operating environment	Temperature: -20 ... 50 °C Relative Humidity: 90% (non-condensing) Storage temperature: -40 ... 85 °C			
Note	<p>The default light color is cool white</p> <p>Different color temperature can be customized: cool white W: 4747K ... 7040K; White WP: 3711K ... 4746K; Warm White WW: 2780 ... 3710K</p>			

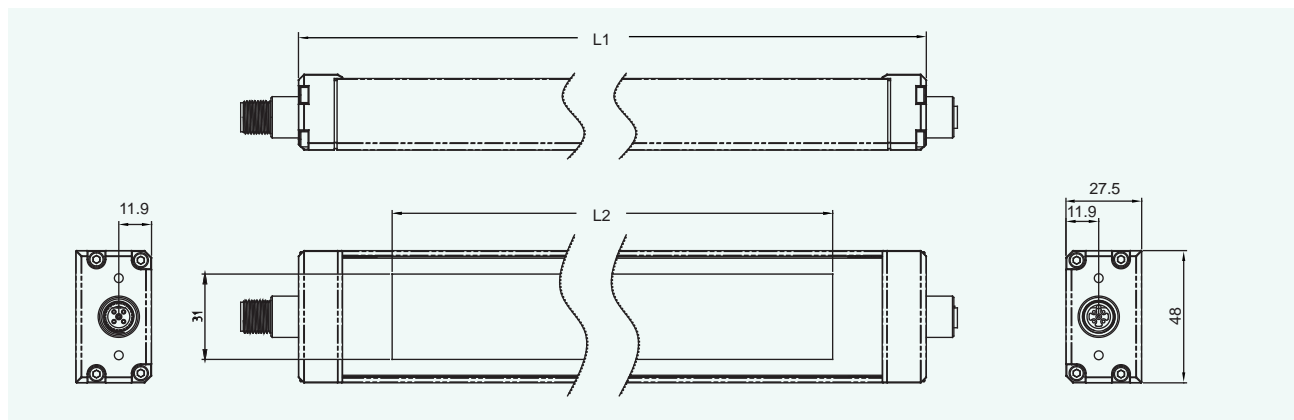
★ Indicating preferred model

Strip Lighting BLT48

The maximum number of cascable lamps (unit: pc)

Distinguish	200mm	400mm	600mm	800mm
18V	4	2	1	1
24V	9	4	3	2
36V	10	5	3	2

Dimensions (Unit: mm)



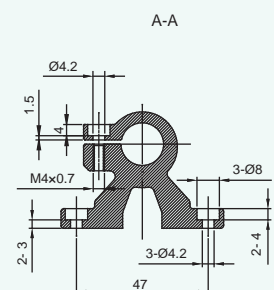
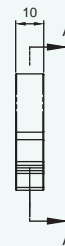
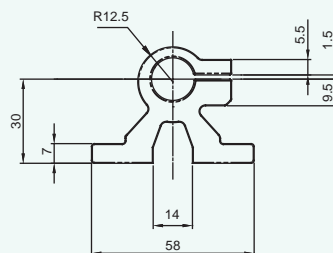
型号	L1(mm)	L2(mm)
BLT48W200..	226	160
BLT48W400..	426	360
BLT48W600..	626	560
BLT48W800..	826	760



Type NO. : BLZ-L05

ID NO. : B01A0007

The default matching mounting brackets,
angle adjustable, each lamp with two
mounting brackets





B.C.E. s.r.l.

Via Regina Pacis, 54/c - 41049 SASSUOLO (MO) Italy

Tel. +39 0536 811.616 r.a. - Fax +39 0536 811.500

www.bce.it - E-mail: bce@bce.it

