

Strip lighting BLT32

Compact Structure , Four lengths , Adjustable , High quality machine LED light

- Shell width 32mm, Lighting lengths available with 250/500/750/1000mm
- 24V DC (Blank) or 220V AC (-AC)
- High performance LED package, high thermal conductivity, low glare, low light decay, lens and non-lens type, with uniform light distribution and no shadow , lens type canbe use for long distance and high illuminance environment
- Alumina housing and durable glass window , waterproof and dustproof up to IP65
- Cabled and quick-disconnect models available
- Stand-alone and cascadable models available
- the L-type swivel mounting brackets



Lens type



non-lens type

BLT32	W	250	L60	-	M	C	/	2M	-	XXX
1	2	3	4		5	6		7		8

1. Series Name

2. LED Color : W - Cool White 5700K , WW - Warm White 3500K , WP - Pure white 4000K

3. Light body length(mm) : 250mm , 500mm , 750mm , 1000mm

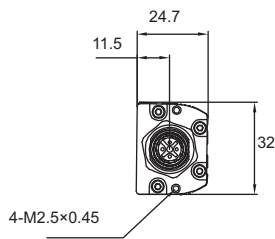
4. LED source type : L60 is lens type ; Blank is non-lens (220VAC only have non lens type)

5. Window material : Blank - transparent mask , M - Frosted Glass

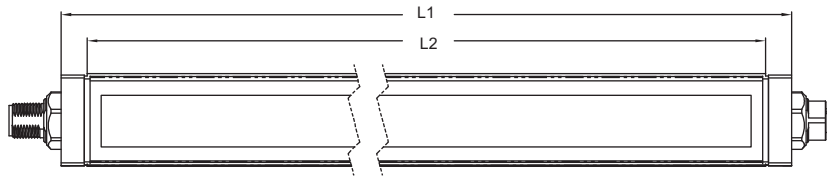
6. C - Cascadable ; Blank-stand alone

7. Wiring : Blank - M12x1 4-pin , 2M - 2m cable (other cable length canbe customized)

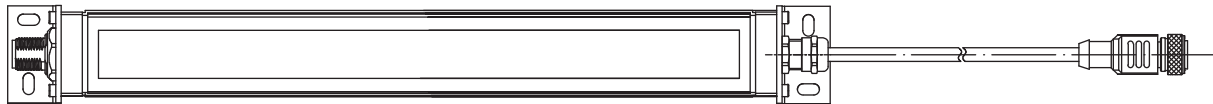
8. Remarks Bit , -AC is 220VAC type



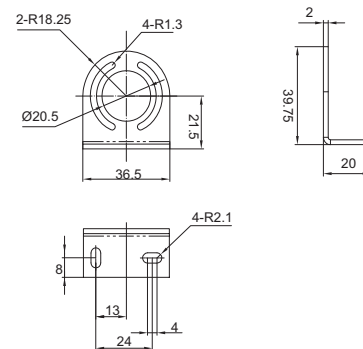
This shape is 24VDC , L1, L2, refer to the following type list



This shape is 220VAC connector type(pigtail connector,cable length is 50mm)



The default matching mounting brackets, angle adjustable, 304 stainless steel, each lamp with two mounting brackets



DC 24V Comment Models parameter table (18~30VDC)

※When 24VDC Voltage input , 1000mm models suggested be in series no more than 2pcs

※Wiring way reference to A03

※Details of other models and parameters, Please consult the LED PM



Model	L1	L2	Power	Current (24V)	Window	Stand alone/In Series	Wiring
BLT32W250	268	250	6.5W	0.27A	Transparent glass	Stand alone	Connector※
BLT32W250-M/2M	268	250	6.5W	0.27A	Frosted glass	Stand alone	2mCable※
BLT32W500	518	500	12.5W	0.54A	Transparent glass	Stand alone	Connector
BLT32W500-M	518	500	12.5W	0.54A	Frosted glass	Stand alone	Connector
BLT32W500L60-C	518	500	13.5W	0.56A	Transparent glass	in Series	Connector
BLT32W750	768	750	19W	0.8A	Transparent glass	Stand alone	Connector
BLT32W750L60-MC	768	750	20.5W	0.85A	Frosted glass	in Series	Connector
BLT32W1000	1018	1000	25W	1.05A	Transparent glass	Stand alone	Connector
BLT32W1000-C	1018	1000	25W	1.05A	Transparent glass	in Series※	Connector
BLT32W1000L60-MC	1018	1000	27W	1.2A	Frosted glass	in Series※	Connector

Strip lighting BLT32

AC 220V Comment Models Parameter Table (198~242VAC)

※When 220V Voltage input , 1000mm models suggested be in series no more than 10pcs

※50mm Pigtail connetor shape refer to P07

※Details of other models and parameters, Please consult the LED PM



Model	L1	L2	Power	Current (24V)	Window	Stand alone/In Series	Wiring
BLT32W250-M/2M-AC	268	250	6	0.06	Transparent glass	Stand alone	2m cable
BLT32W500-M/2M-AC	518	500	12	0.12	Transparent glass	Stand alone	2m cable
BLT32W500-M-AC	518	500	12	0.12	Transparent glass	Stand alone	pigtail connector※
BLT32W750-M/2M-AC	768	750	18	0.16	Transparent glass	Stand alone	2m cable
BLT32W1000-M/2M-AC	1018	1000	23	0.2	Transparent glass	Stand alone	2m cable
BLT32W1000-MC-AC	1018	1000	23	0.2	Transparent glass	in Series※	pigtail connector※

Wiring (24VDC &220VAC Models)

Series	Pre-moulding connector	Pin out	Connector model <small>※This model is 2m cable , the other length canbe customized</small>	Wiring Diagram
BLT32 (DC)		Female 	EK3-2M/P00 EK4-2M/P00 EK3 EZ3-2M/P00 (Double ended)	
BLT32 (220VAC)		Female 	ELL32S-K-2M ELL32S-K-Z-2M (Double ended)	



B.C.E. s.r.l.
Via Regina Pacis, 54/c - 41049 SASSUOLO (MO) Italy
Tel. +39 0536 811.616 r.a. - Fax +39 0536 811.500
www.bce.it - E-mail: bce@bce.it

