

BL50 / 64 circular series

Application areas :

Simple industrial lighting, suitable for a small area of space lighting, can be used in water-wash or other harsh industrial environments

Features:

- Two different diameter dimensions 50mm and 64mm, to meet different customer needs
- Lens type with higher brightness
- 30mm base mounting base or flex Arm Mounts
- Cabled and quick-disconnect models available
- Robust housing, waterproof and dustproof up to IP67,
- Suitable for the wet and harsh environments






∅ 50 mm

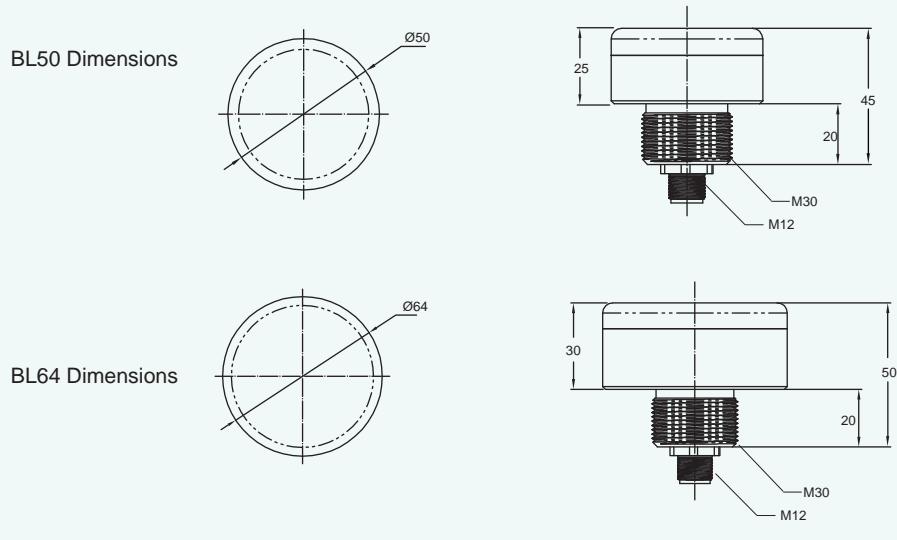
∅ 64mm



Circular Lighting BL50 / 64 series parameter table

Appearance					 <ul style="list-style-type: none"> ■ Dimensions : Page18 ■ Mounting brackets : Page18 ■ Connectors : Page22 ■ Wiring Diagram : Page22
Connection	 DC				
Color temperature (CCT)	6000K				
Life time	50,000 hours, the luminous decay less than 30%				
Operating Voltage	12...30V dc		18...36V dc		
Color	cool white		cool white		
Lumens (25°C)	200lm		330lm		
Current (12/18V)	0.208A		0.233A		
Current (24V)	0.104A		0.175A		
Current (30/36V)	0.083A		0.117A		
Power	2.5W		4.2W		
Single/Cascadable	Single				
Connection	4-pin M12 connector	2m cable	4-pin M12 connector	2m cable	
Materials	PC Windows, aluminum housing				
IP degree	IP67				
Operating environment	Temperature: -20 ... 50 °C Relative Humidity: 90% (non-condensing) Storage temperature: -40 ... 70 °C				
Note	The default light color is cool white Different color temperature can be customized: cool white W: 4747K ... 7040K; Pure White WP: 3711K ... 4746K; Warm White:2780K ... 3710K				

BL50 / 64 Dimensions



Mounting brackets



1. Flex Arm Mounts Bracket(For cabled models only)

Type NO.: BLZ-01

ID NO.: B01A0002

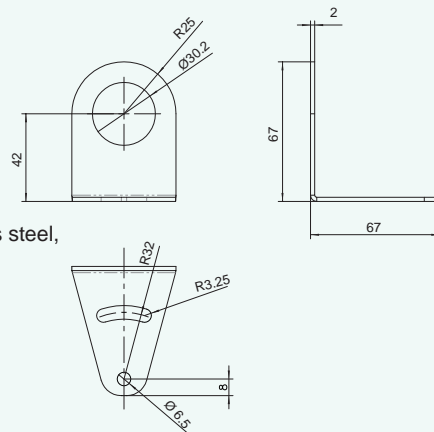
Reprovision bracket, Flex arm diameter 13mm, the default length 400mm, the angle can be adjusted, circular base.

2.Right-angle Bracket

Type NO.: BLZ-L01

ID NO.: B01A0003

Reprovision bracket, angle adjustable, 304 stainless steel, each lamp with a mounting bracket





B.C.E. s.r.l.

Via Regina Pacis, 54/c - 41049 SASSUOLO (MO) Italy

Tel. +39 0536 811.616 r.a. - Fax +39 0536 811.500

www.bce.it - E-mail: bce@bce.it

